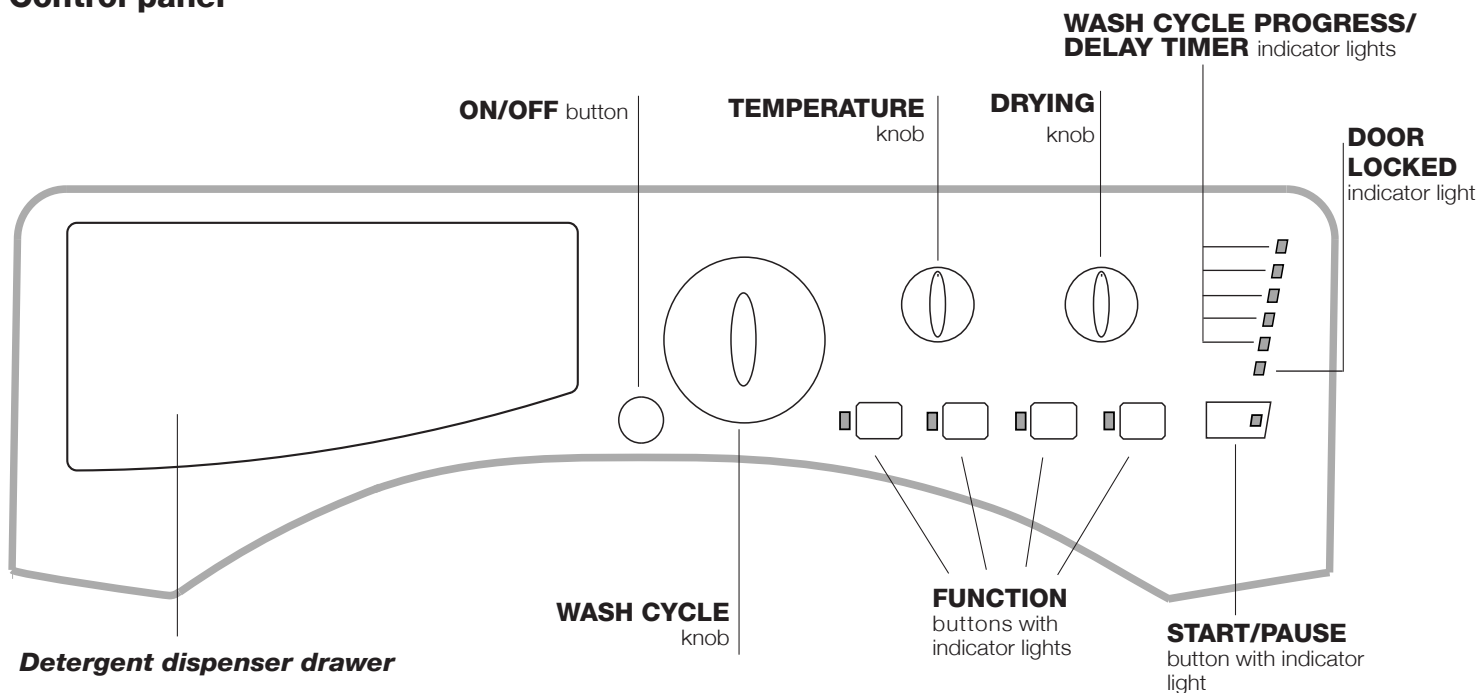


Description of the washer-dryer and starting a wash cycle

Control panel



Detergent dispenser drawer: used to dispense detergents and washing additives (see “Detergents and laundry”).

ON/OFF button: switches the washer-dryer on and off.

WASH CYCLE knob: programmes the wash cycles. During the wash cycle, the knob does not move.

FUNCTION buttons with indicator light: used to select the available functions. The indicator light corresponding to the selected function will remain lit.

TEMPERATURE knob: sets the temperature or the cold wash cycle (see “Personalisation”).

DRYING knob: used to set the desired drying programme (see “Personalisation”).

WASH CYCLE PROGRESS/DELAY TIMER indicator lights: used to monitor the progress of the wash cycle. The illuminated indicator light shows which phase is in progress. If the Delay Timer function has been set, the time remaining until the wash cycle starts will be indicated (see next page).

DOOR LOCKED indicator light: indicates whether the door may be opened or not (see next page).

START/PAUSE button with indicator light: starts or temporarily interrupts the wash cycles.

N.B. To pause the wash cycle in progress, press this button; the corresponding indicator light will flash orange, while the indicator light for the current wash cycle phase will remain lit in a fixed manner. If the DOOR LOCKED indicator light is switched off, the door may be opened. To start the wash cycle from the point at which it was interrupted, press this button again.

Standby mode

This washing machine, in compliance with new energy saving regulations, is fitted with an automatic standby system which is enabled after about 30 minutes if no activity is detected. Press the ON-OFF button briefly and wait for the machine to start up again.

Consumption in off-mode: 0,5 W

Consumption in Left-on: 0,5 W

Indicator lights

The indicator lights provide important information. This is what they can tell you:

Delayed start

If the DELAY TIMER function has been activated (see “Personalisation”), after the wash cycle has been started the indicator light corresponding to the selected delay period will begin to flash:



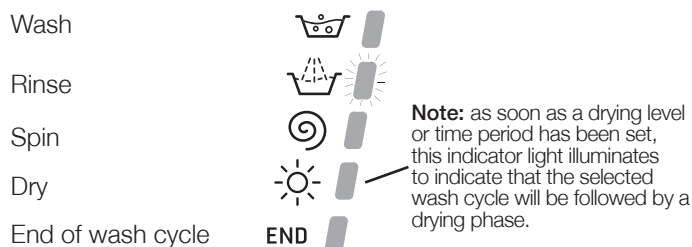
As time passes, the remaining delay will be displayed and the corresponding indicator light will flash:



Once the set delay has elapsed, the flashing indicator light will switch off and the selected wash cycle will begin.

Wash cycle phase indicator lights

Once the desired wash cycle has been selected and has begun, the indicator lights switch on one by one to indicate which phase of the cycle is currently in progress.



Note: during the “Drain” phase, the indicator light corresponding to the “Spin” cycle phase will illuminate.

Function buttons and corresponding indicator lights

When a function is selected, the corresponding indicator light will illuminate.

If the selected function is not compatible with the programmed wash cycle, the corresponding indicator light will flash and the function will not be activated.

If a function which is incompatible with another function selected previously, only the most recent selection will remain active.

Door locked indicator light

If this indicator light is on, the appliance door is locked to prevent it from being opened accidentally; to avoid any damage, wait for the indicator light to switch off before you open the appliance door.

N.B. If the DELAY TIMER function is activated, the door cannot be opened; pause the machine by pressing the START/PAUSE button if you wish to open it.

! If the START/PAUSE indicator light (orange) flashes rapidly at the same time as the function indicator light, this indicates a problem has occurred (see “Troubleshooting”).

Starting a wash cycle

1. Turn the washing machine on by pressing the ON/OFF button. All the indicator lights will turn on for a few seconds, then only the indicator lights relative to the selected programme settings will remain lit and the START/PAUSE indicator light will flash.
2. Load the laundry and close the door.
3. Set the WASH CYCLE knob to the desired programme.
4. Set the washing temperature (see “Personalisation”).
5. Set the drying cycle if necessary (see “Personalisation”).
6. Measure out the detergent and washing additives (see “Detergents and laundry”).
7. Select the desired functions.
8. Start the wash cycle by pressing the START/PAUSE button and the corresponding indicator light will remain lit in a fixed manner, in green. To cancel the set wash cycle, pause the machine by pressing the START/PAUSE button and select a new cycle.
9. At the end of the wash cycle the **END** indicator light will switch on. The **DOOR LOCKED** indicator light will switch off, indicating that the door may be opened. Take out your laundry and leave the appliance door ajar to make sure the drum dries completely. Switch the washer-dryer off by pressing the ON/OFF button.

Wash cycles

GB

Table of wash cycles

Wash cycles	Description of the wash cycle	Max. temp. (°C)	Max. speed (rpm)	Drying	Detergents			Max. load (kg)	Cycle duration
					Bleach	Wash	Fabric softener		
Daily wash cycles									
1	Cotton: Heavily soiled whites and resistant colours.	60°	1200	●	●	●	●	7	135'
2	Coloured Cottons: Lightly soiled whites and delicate colours.	40°	1200	●	●	●	●	7	90'
3	Synthetics resistent: Heavily soiled resistant colours.	60°	800	●	-	●	●	3	115'
4	Mix 30': To refresh lightly soiled garments quickly (not suitable for wool, silk and clothes which require washing by hand).	30°	800	●	-	●	●	3	30'
5	Mix 15': To refresh lightly soiled garments quickly (not suitable for wool, silk and clothes which require washing by hand).	30°	800	●	-	●	●	1,5	15'
Specials cycles									
6	Sanitizing cycle: Extremely soiled whites.	90°	1200	●	●	●	●	7	190'
6	Sanitizing cycle (1): Heavily soiled whites and resistant colours.	60°	1200	●	-	●	●	7	190'
6	Sanitizing cycle (2): Lightly soiled whites and resistant colours.	40°	1200	●	-	●	●	7	145'
7	Goodnigt cycle: Lightly soiled delicate colours.	40°	800	-	-	●	●	4	290'
8	Baby cycle: Heavily soiled delicate colours.	40°	800	●	-	●	●	3	120'
9	Silk/Curtains: For garments in silk and viscose, lingerie.	30°	0	-	-	●	●	1	55'
10	Wool: For wool, cashmere, etc.	40°	800	●	-	●	●	1,5	70'
Partials wash cycles									
A	Rinse	-	1200	●	-	-	●	7	36'
B	Spin	-	1200	●	-	-	-	7	16'
C	Drain no spin	-	0	-	-	-	-	7	2'
Drying cycles									
11	Cotton drying	-	-	●	-	-	-	5	-
12	Synthetics drying	-	-	●	-	-	-	3	-
13	Wool drying	-	-	●	-	-	-	1,5	-

The length of cycle shown on the display or in this booklet is an estimation only and is calculated assuming standard working conditions. The actual duration can vary according to factors such as water temperature and pressure, the amount of detergent used, the amount and type of load inserted, load balancing and any wash options selected.

For all Test Institutes:

- 1) Test wash cycle in compliance with regulation EN 50229: set wash cycle 6 with a temperature of 60°C.
- 2) Long wash cycle for cottons: set wash cycle 6 with a temperature of 40°C.

Specials wash cycles

Sanitizing cycle (wash cycle 6). A high-temperature hygienic wash cycle (over 60°C) which requires the use of bleach. Pour the bleach, the detergent and the additives into the relevant compartments (see paragraph entitled "Detergent dispenser drawer").

Goodnigt cycle (wash cycle 7). This is a silent cycle which can be run at night, when the electricity prices are lower. The wash cycle is designed for cottons and synthetics. At the end of the cycle the machine stops while there is still water in the drum; to spin and drain the laundry press the START/PAUSE button; alternatively the machine will perform the spin cycle and drain the water automatically after 8 hours.

Baby cycle (wash cycle 8). This wash cycle can be used to remove the soiling typically caused by babies, while ensuring that all detergent is removed from nappies in order to prevent the delicate skin of babies from suffering allergies. The cycle has been designed to reduce the amount of bacteria by using a greater quantity of water and optimising the effect of special disinfecting additives added to the detergent.

At the end of the wash cycle, the machine will slowly rotate the drum to prevent the formation of creases; to end the cycle press the START/PAUSE button.

Mix 30'(wash cycle 4) this wash cycle was designed to wash lightly soiled garments quickly: it lasts just 30 minutes and therefore saves both energy and time. By selecting this wash cycle (5 at 30°C), it is possible to wash different fabrics together (except for wool and silk items), with a maximum load of 3 kg.

Mix 15'(wash cycle 5) this wash cycle was designed to wash lightly soiled garments quickly: it lasts just 15 minutes and therefore saves both energy and time. By selecting this wash cycle (5 at 30°C), it is possible to wash different fabrics together (except for wool and silk items), with a maximum load of 1.5 kg.

Personalisation

Setting the temperature

Turn the TEMPERATURE knob to set the wash temperature (see *Table of wash cycles*).

The temperature may be lowered, or even set to a cold wash (❄️).

The washer-dryer will automatically prevent you from selecting a temperature which is higher than the maximum value set for each wash cycle.

Setting the drying cycle

Turn the DRYING knob to set the desired drying type.

Two options are available:

A - Based on time: from **40** to **180** minutes.

B - Based on the how damp the clothes are once they have been dried:

Iron 🧺: slightly damp clothes, easy to iron.

Hanger 🧺: dry clothes to put away.

Cupboard 🧺: very dry clothes, recommended for towelling and bathrobes.

If your laundry load to be washed and dried is much greater than the maximum stated load (see *adjacent table*), perform the wash cycle, and when the cycle is complete, divide the garments into groups and put some of them back in the drum. At this point, follow the instructions provided for a “**Drying only**” cycle. Repeat this procedure for the remainder of the load.

N.B: When the drying is complete there is a cooling period, even though the DRYING knob is in the ☀️ position.

Drying only

Turn the WASH CYCLE knob to one of the drying settings (**11-12-13**) according to the type of fabric, then select the desired drying duration using the DRYING knob.

Table of Drying times (guideline values)

Fabric type	Load type	Max. load (kg)	Cupboard dry 🧺	Hanger dry 🧺	Iron dry 🧺
Cotton	Clothing of different sizes, Terry towels	5	180	170	160
Synthetic	Sheets, Shirts, Pyjamas, socks, etc.	3	180	170	160
Wool	Knitwear, Pullovers, etc.	1,5	150	140	130

Functions

The various wash functions available with this washer-dryer will help to achieve the desired results, every time.

To activate the functions:

1. Press the button corresponding to the desired function;
2. the function is enabled when the corresponding indicator light is illuminated.

Note: If the indicator light flashes rapidly, this signals that this particular function may not be selected in conjunction with the selected wash cycle.

🕒 Delay timer

This timer delays the start time of the wash cycle by up to 9 hours.

Press the button repeatedly until the indicator light corresponding to the desired delay time switches on. The fifth time the button is pressed, the function will be disabled.

N.B. Once you have pressed the START/PAUSE button, the delay time may only be decreased if you wish to modify it.

! This option is enabled with all programmes.

🧺 Extra rinse

By selecting this function, the efficiency of the rinse is increased and optimal detergent removal is guaranteed. It is particularly useful for sensitive skin.

! This function may not be used in conjunction with wash cycles 4, 5, 11, 12, 13, B, C.

🧺 Super Wash

Because a greater quantity of water is used in the initial phase of the cycle, and because of the increased cycle duration, this function offers a high-performance wash.

! This function may not be used in conjunction with wash cycles 4, 5, 6, 9, 10, 11, 12, 13, A, B, C.

1200-600

By selecting this function, reduces the spin speed.

! This function may not be used in conjunction with wash cycles 9, C, 11, 12, 13.

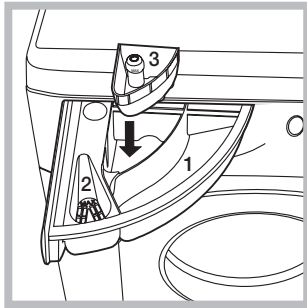
Detergents and laundry

GB

Detergent dispenser drawer

Good washing results also depend on the correct dose of detergent: adding too much detergent will not necessarily result in a more efficient wash, and may in fact cause build up on the inside of your appliance and contribute to environmental pollution.

! Do not use hand washing detergents because these create too much foam.



Open the detergent dispenser drawer and pour in the detergent or washing additive, as follows.

compartment 1: Detergent for the wash cycle (powder or liquid)

Liquid detergent should only be poured in immediately prior to the start of the wash cycle.

compartment 2: Additives (fabric softeners, etc.)

The fabric softener should not overflow the grid.

extra compartment 3: Bleach

Bleach cycle

Bleaching may only be performed in conjunction with wash cycles **1, 2, 6**.

Pour the bleach into extra compartment **3**; pour the detergent and softener into the corresponding compartments, then select one of the abovementioned wash cycles.

This option is recommended only for very soiled cotton garments.

Preparing the laundry

- Divide the laundry according to:
 - the type of fabric/the symbol on the label
 - the colours: separate coloured garments from whites.
- Empty all garment pockets and check the buttons.
- Do not exceed the listed values, which refer to the weight of the laundry when dry: see "Table of wash cycles".

How much does your laundry weigh?

- 1 sheet 400-500 g
- 1 pillow case 150-200 g
- 1 tablecloth 400-500 g
- 1 bathrobe 900-1200 g
- 1 towel 150-250 g

Garments requiring special care

Silk: use special wash cycle **9** to wash all silk garments. We recommend the use of special detergent which has been designed to wash delicate clothes.

Curtains: these should be folded and placed inside the bag provided. Use wash cycle **9**.

Wool: The wool wash cycle on this Hotpoint/Ariston machine has been tested and approved by The Woolmark Company for washing wool garments labelled as hand washable provided that the garments are washed according to the instructions on the garment label and those issued by the manufacturer of this washing machine. Hotpoint/Ariston is the first washing machine brand to be approved by The Woolmark Company for Apparel Care- Platinum for its washing performance and consumption of energy and water. (M1126)



In UK, Eire, Hong Kong and India the Woolmark trade mark is a Certification trade mark.

Load balancing system

Before every spin cycle, to avoid excessive vibrations and to distribute the load in a uniform manner, the drum rotates continuously at a speed which is slightly greater than the washing rotation speed. If, after several attempts, the load is not balanced correctly, the machine spins at a reduced spin speed. If the load is excessively unbalanced, the washer-dryer performs the distribution process instead of spinning. To encourage improved load distribution and balance, we recommend small and large garments are mixed in the load.

Anti-crease

This function interrupts the wash programme, and the washing is left to soak in water before the appliance is drained.

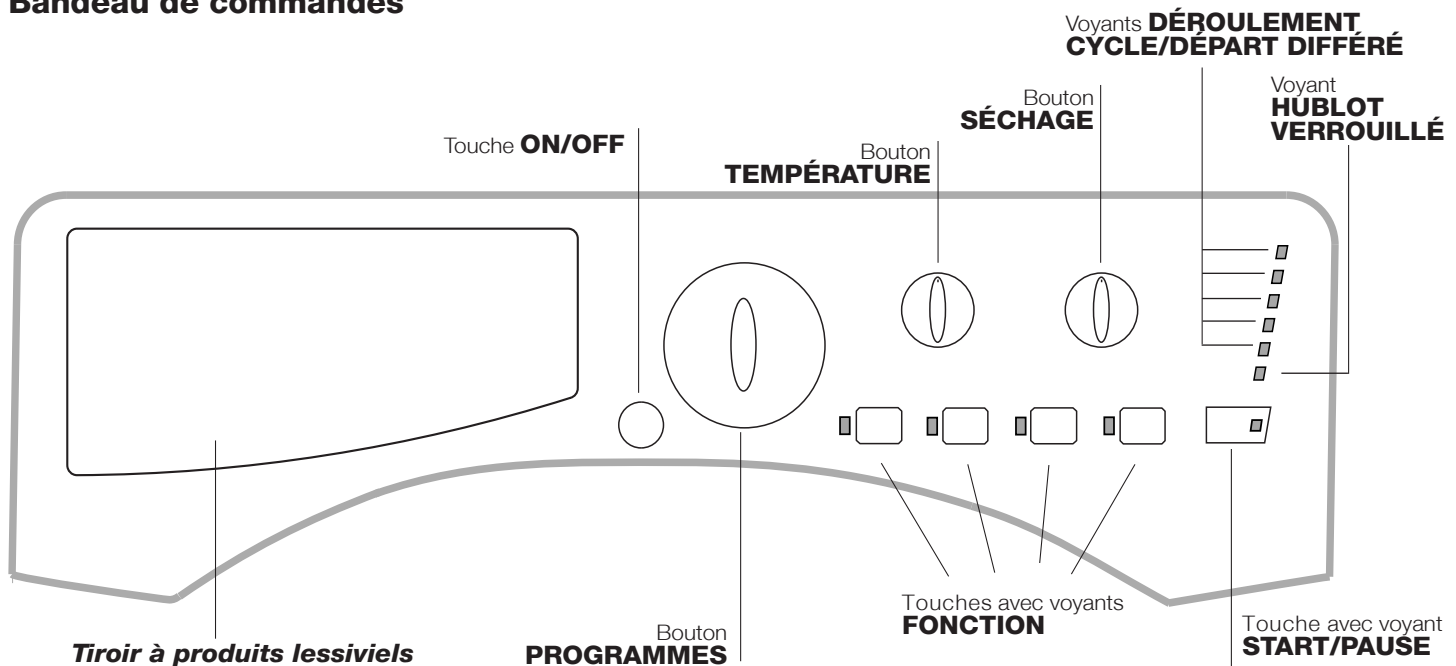
It can only be used with programme **9** (Silk/Curtains) and helps to prevent the formation of creases.

To complete the cycle press the START/PAUSE button.

Description du lavante-séchante et démarrage d'un programme

FR

Bandeau de commandes



Tiroir à produits lessiviels: pour charger les produits lessiviels et les additifs (voir "Produits lessiviels et linge").

Touche **ON/OFF:** pour allumer ou éteindre le lavante-séchante.

Bouton **PROGRAMMES:** pour sélectionner les programmes. Pendant le programme, le bouton ne tournera pas.

Touches avec voyants **FONCTION:** pour sélectionner les fonctions disponibles. Le voyant correspondant à la fonction sélectionnée restera allumé.

Bouton **TEMPÉRATURE:** pour sélectionner la température ou un lavage à froid (voir "Personnalisations").

Bouton **SÉCHAGE:** pour sélectionner le séchage désiré (voir "Personnalisations").

Voyants **DÉROULEMENT CYCLE/DÉPART DIFFÉRÉ:** pour suivre le stade d'avancement du programme de lavage.

Le voyant allumé indique la phase de lavage en cours. Si la fonction "Départ différé" (départ différé) a été sélectionnée, ils indiquent le temps restant jusqu'au démarrage du programme (voir page ci-contre).

Voyant **HUBLOT VERROUILLÉ:** indique si la porte est verrouillée (voir page ci-contre).

Touche avec voyant **MARCHE/PAUSE:** pour démarrer les programmes ou les interrompre momentanément.

N.B.: pour effectuer une pause du lavage en cours, appuyer sur cette touche, le voyant correspondant se mettra à clignoter en orange tandis que celui de la phase en cours restera allumé fixe. Si le voyant HUBLOT VERROUILLÉ est éteint, on peut ouvrir la porte.

Pour faire redémarrer le lavage exactement de l'endroit où il a été interrompu, appuyer une nouvelle fois sur la touche.

Stand-by

Ce lave-linge, conformément aux nouvelles normes en vigueur dans le domaine de l'économie d'énergie, est équipée d'un système d'extinction automatique (veille) activé après environ 30 minutes d'inutilisation. Appuyez brièvement sur la touche ON/OFF et attendre que la machine soit réactivée.

Consommation en off-mode : 0,5 W

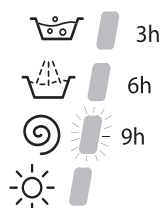
Consommation en Left-on : 0,5 W

Voyants

Les voyants fournissent des informations importantes. Voilà ce qu'ils signalent:

Départ différé

Si la fonction "Départ différé" a été activée (voir "Personnalisations"), le voyant correspondant au temps sélectionné se mettra à clignoter, après avoir lancé le programme :



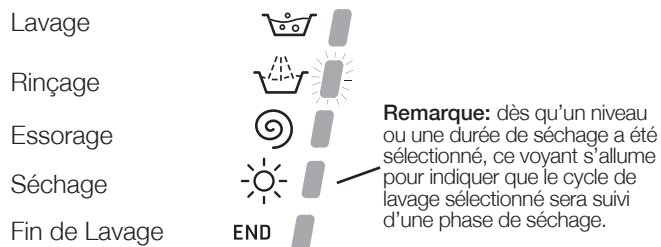
Au fur et à mesure que le temps passe, le temps restant est affiché avec clignotement du voyant correspondant.



Quand le temps sélectionné touche à sa fin, le voyant clignotant s'éteint et le programme sélectionné démarre.

Voyants phase en cours

Une fois que le cycle de lavage sélectionné a démarré, les voyants s'allument progressivement pour indiquer son stade d'avancement:



Remarque: pendant la phase de "Vidange", le voyant correspondant à la phase "Essorage" s'allume.

Touches fonction et voyants correspondants

La sélection d'une fonction entraîne l'allumage du voyant correspondant.

Si la fonction sélectionnée est incompatible avec le programme sélectionné, le voyant correspondant se met à clignoter et la fonction n'est pas activée.

En cas de sélection d'une fonction incompatible avec une autre précédemment sélectionnée, la seule à être activée sera celle choisie en dernier.

🔒 Voyant hublot verrouillé:

Le voyant allumé indique que le hublot est verrouillé pour empêcher toute ouverture accidentelle. Pour éviter d'endommager l'appareil, attendre que le voyant cesse de clignoter avant d'ouvrir la porte.

N.B: si la fonction DÉPART DIFFÉRÉ est activée, le hublot ne s'ouvre pas. Pour l'ouvrir il faut appuyer sur la touche START/PAUSE qui met l'appareil en pause.

! Un clignotement rapide du voyant START/PAUSE (orange) simultanément à celui des fonctions signale une anomalie (voir "Anomalies et remèdes").

Démarrage d'un programme

1. Allumer le lave-linge en appuyant sur la touche ON/OFF. Tous les voyants s'allumeront pendant quelques secondes, ne resteront ensuite allumés que les voyants correspondant aux sélections du programme en cours et le voyant START/PAUSE se mettra à clignoter.
2. Charger le linge et fermer le hublot.
3. Sélectionner à l'aide du bouton PROGRAMMES le programme désiré.
4. Sélectionner la température de lavage (voir "Personnalisations").
5. Sélectionner le séchage si nécessaire (voir "Personnalisations").
6. Verser les produits lessiviels et les additifs (voir "Produits lessiviels et linge").
7. Sélectionner les fonctions désirées.
8. Appuyer sur la touche START/PAUSE pour démarrer le programme, le voyant correspondant vert restera allumé en fixe. Pour annuler le cycle sélectionné, appuyer sur la touche START/PAUSE pour placer l'appareil en pause et choisir un nouveau cycle.
9. A la fin du programme, le voyant END s'allume. Le voyant HUBLOT VERROUILLÉ s'éteint pour signaler que le hublot peut être ouvert. Sortir le linge et laisser le hublot entrouvert pour faire sécher le tambour. Eteindre le lave-linge en appuyant sur la touche ON/OFF.

Programmes

FR

Tableau des programmes

Programmes	Description du Programme	Temp. maxi. (°C)	Vitesse maxi (tours minute)	Séchage	Produits lessiviels			Charge maxi (Kg)	Durée cycle
					Javel	Lavage	Assouplissant		
Programmes Quotidien									
1	Coton: blancs et couleurs résistantes très sales.	60°	1200	●	●	●	●	7	135'
2	Coton: blancs peu sales et couleurs délicates.	40°	1200	●	●	●	●	7	90'
3	Synthétique: couleurs résistantes très sales.	60°	800	●	-	●	●	3	115'
4	MIX 30': pour rafraîchir rapidement du linge peu sale (ne convient pas pour la laine, la soie et le linge à laver à la main).	30°	800	●	-	●	●	3	30'
5	MIX 15': pour rafraîchir rapidement du linge peu sale (ne convient pas pour la laine, la soie et le linge à laver à la main).	30°	800	●	-	●	●	1,5	15'
Programmes Spécial									
6	Anti-bactérien: blancs extrêmement sales.	90°	1200	●	●	●	●	7	190'
6	Anti-bactérien (1): blancs et couleurs résistantes très sales.	60°	1200	●	-	●	●	7	190'
6	Anti-bactérien (2): blancs et couleurs résistantes peu sales.	40°	1200	●	-	●	●	7	145'
7	Bonne Nuit: couleurs délicates peu sales.	40°	800	-	-	●	●	4	290'
8	Bébé: couleurs délicates très sales.	40°	800	●	-	●	●	3	120'
9	Soie/Voilages: pour linge en soie, viscose, lingerie.	30°	0	-	-	●	●	1	55'
10	Laine: pour laine, cachemire, etc.	40°	800	●	-	●	●	1,5	70'
Cycle									
A	Rinçage	-	1200	●	-	-	●	7	36'
B	Essorage	-	1200	●	-	-	-	7	16'
C	Vidange	-	0	-	-	-	-	7	2'
Programmes Séchage									
11	Séchage Coton	-	-	●	-	-	-	5	-
12	Séchage Synthétique	-	-	●	-	-	-	3	-
13	Séchage Laine	-	-	●	-	-	-	1,5	-

La durée du cycle indiquée sur l'écran ou dans la notice représente une estimation calculée dans des conditions standard. Le temps effectif peut varier en fonction de nombreux facteurs tels que : température et pression de l'eau en entrée, température ambiante, quantité de lessive, quantité et type de charge, équilibrage de la charge, options supplémentaires sélectionnées.

Pour tous les instituts qui effectuent ces tests :

- 1) Programme de contrôle selon la norme EN 50229: sélectionner le programme 6 et une température de 60°C.
- 2) Programme coton long: sélectionner le programme 6 et une température de 40°C.

Programmes spéciaux

Anti-bactérien (programme 6). Un programme hautes températures qui prévoit l'utilisation de produits javelés à des températures supérieures à 60°C. Pour blanchir, verser le produit javelé, les lessives et les additifs dans les compartiments correspondants (voir paragraphe "Tiroir à produits lessiviels").

Bonne nuit (programme 7). C'est un cycle silencieux qui permet de faire fonctionner le lavante-séchante la nuit quand le tarif d'électricité est plus bas. Ce programme est spécialement conçu pour les synthétiques et le coton. A la fin du cycle l'appareil s'arrête, cuve pleine. Pour procéder à l'essorage et à la vidange, appuyer sur la touche MARCHE/PAUSE, à défaut, l'appareil procédera automatiquement au bout de 8 heures à l'essorage et à la vidange de l'eau.

Bébé (programme 8). Programme spécial, idéal pour le lavage des vêtements d'enfants souvent très sales, il élimine toute trace de lessive du linge pour protéger leur peau délicate et éviter tout risque d'allergie. Spécialement conçu pour diminuer la charge bactérienne, ce cycle utilise une plus grande quantité d'eau et optimise l'effet des additifs désinfectants spécifiques ajoutés à la lessive.

En fin de lavage, l'appareil fait tourner le tambour lentement pour éviter de froisser le linge. Pour compléter le cycle appuyer sur la touche MARCHE/PAUSE.

Mix 30' (programme 4) spécialement conçu pour laver du linge peu sale en un rien de temps: il ne dure que 30 minutes et permet ainsi de faire des économies d'énergie et de temps. La sélection de ce programme (4 à 30°C) permet de laver ensemble des textiles différents (sauf laine et soie) en ne dépassant pas 3 kg de charge.

Mix 15' (programme 5) spécialement conçu pour laver du linge peu sale en un rien de temps: il ne dure que 15 minutes et permet ainsi de faire des économies d'énergie et de temps. La sélection de ce programme (5 à 30°C) permet de laver ensemble des textiles différents (sauf laine et soie) en ne dépassant pas 1,5 kg de charge.

Personnalisations

Sélection de la température

Tourner le bouton TEMPÉRATURE pour sélectionner la température de lavage (voir *Tableau des programmes*).

La température peut être abaissée jusqu'au lavage à froid (❄).

La machine interdira automatiquement toute sélection d'une température supérieure à la température maximale prévue pour chaque programme.

Sélectionner le séchage

Tourner le bouton SÉCHAGE pour sélectionner le type de séchage souhaité. Deux possibilités sont offertes:

A - En fonction du temps: de **40 à 180** minutes.

B - En fonction du niveau de séchage:

Repassage : linge légèrement humide, facile à repasser.

Sur Ceintre : linge sec prêt à ranger.

Armoire : linge très sec, conseillé pour serviettes éponge et peignoirs.




Si, exceptionnellement, la charge de linge à laver et faire sécher dépasse la charge maximum prévue (*voir tableau temps de Séchage*), procéder au lavage et une fois le programme terminé, séparer votre linge et en réintroduire une partie dans le tambour.

Suivre à présent les instructions pour procéder au "**Séchage seulement**".

Procéder de même pour le linge restant.

N.B: en fin de séchage, une phase de refroidissement a lieu même si le bouton SÉCHAGE est positionné sur .

Tableau temps de Séchage (Valeurs indicatives)

Type de tissu	Type de charge	Charge max. (kg)	Armoire 	Sur Ceintre 	Repassage 
Coton	Linge de différentes dimensions, serviettes éponge	5	180	170	160
Synthétiques	Draps, chemises, pyjamas, chaussettes etc.	3	180	170	160
Laine	Tricots, pullovers, etc.	1,5	150	140	130

Séchage seulement

Tourner le bouton PROGRAMMES jusqu'à la position de séchage (**11-12-13**) adaptée au type de textile puis sélectionner la durée du cycle de séchage souhaitée à l'aide du bouton SÉCHAGE.

Fonctions

Les différentes fonctions de lavage prévues par le lavante-séchante permettent d'obtenir la propreté et le blanc souhaités.

Pour activer les fonctions:

1. appuyer sur la touche correspondant à la fonction désirée;
2. l'allumage du voyant correspondant signale que la fonction est activée.

Remarque: Le clignotement rapide du voyant signale que la fonction correspondante n'est pas disponible pour le programme sélectionné.

Départ différé

Pour différer la mise en marche de la machine jusqu'à 9 heures.

Appuyer plusieurs fois de suite sur la touche jusqu'à ce que le voyant correspondant au retard souhaité s'allume.

A la cinquième pression sur la touche, la fonction se désactive.

N.B: Après avoir appuyé sur la touche MARCHE/PAUSE, le retard programmé ne peut être modifié que pour le diminuer.

! Il est activé avec tous les programmes.

Rinçage plus

La sélection de cette fonction permet d'augmenter l'efficacité du rinçage et d'éliminer toute trace de lessive. Elle est très utile en cas de peaux particulièrement sensibles.

! Cette option n'est pas activable avec les programmes 4, 5, 11, 12, 13, B, C.

Intensif

Grâce à l'utilisation d'une plus grande quantité d'eau au cours de la phase initiale du cycle et à l'emploi de davantage de temps, cette fonction permet d'obtenir un lavage très performant.

! Cette option n'est pas activable avec les programmes 4, 5, 6, 9, 10, 11, 12, 13, A, B, C.

1200-600

La sélection de cette fonction permet de réduire la vitesse d'essorage.

! Cette option n'est pas activable avec les programmes 9, C, 11, 12, 13.

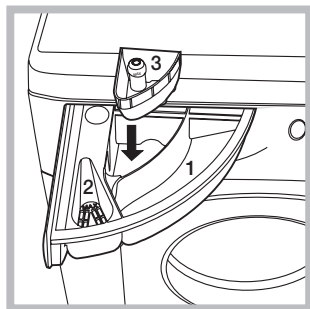
Produits lessiviels et linge

FR

Tiroir à produits lessiviels

Un bon résultat de lavage dépend aussi d'un bon dosage de produit lessiviel: un excès de lessive ne lave pas mieux, il incruste l'intérieur du lavante-séchante et pollue l'environnement.

! Ne pas utiliser de lessives pour lavage à la main, elles moussent trop.



Sortir le tiroir à produits lessiviels et verser la lessive ou l'additif comme suit.

bac 1: Lessive lavage (en poudre ou liquide)

Verser la lessive liquide juste avant la mise en marche.

bac 2: Additifs (assouplissant, etc.)

L'assouplissant ne doit pas déborder de la grille.

bac supplémentaire 3: Produit javéliné

Cycle blanchissage

Le blanchissage n'est possible qu'avec les programmes **1**, **2**, **6**.

Verser le produit javéliné dans le bac supplémentaire **3**, la lessive et l'assouplissant dans les bacs correspondants, puis sélectionner un des programmes sus-indiqués. Conseillé en cas de linge en coton très sale.

Triage du linge

- Trier correctement le linge d'après:
 - le type de textile / le symbole sur l'étiquette.
 - les couleurs: séparer le linge coloré du blanc.
- Vider les poches et contrôler les boutons.
- Ne pas dépasser les valeurs indiquées dans le "Tableau des programmes" correspondant au poids de linge sec.

Combien pèse le linge ?

- 1 drap 400-500 g
- 1 taie d'oreiller 150-200 g
- 1 nappe 400-500 g
- 1 peignoir 900-1200 g
- 1 serviette éponge 150-250 g

Linge ou vêtements particuliers

Soie: sélectionner le programme de lavage spécial **9** pour vêtements en soie. Il est conseillé d'utiliser une lessive spéciale pour linge délicat.

Rideaux: pliez-les bien et glissez-les dans une taie d'oreiller ou dans un sac genre filet. Sélectionner le programme **9**.

Laine: Le cycle de lavage « Laine » de ce lave-linge Hot point/Ariston a été testé et approuvé par la société Woolmark Company pour le lavage d'articles en laine classés comme « lavables à la main », à condition que le lavage soit effectué conformément aux instructions indiquées sur l'étiquette du vêtement et aux indications fournies par le fabricant de l'électroménager. Hot point/Ariston est la première marque de lave-linge à avoir obtenu la certification Woolmark Apparel Care - Platinum délivrée par la société Woolmark Company pour ses performances de lavage et pour sa consommation d'eau et d'énergie. (M1126)



Système d'équilibrage de la charge

Avant tout essorage, pour éviter toute vibration excessive et répartir le linge de façon uniforme, le lavante-séchante fait tourner le tambour à une vitesse légèrement supérieure à la vitesse de lavage. Si au bout de plusieurs tentatives, la charge n'est toujours pas correctement équilibrée, l'appareil procède à un essorage à une vitesse inférieure à la vitesse normalement prévue. En cas de déséquilibre excessif, le lavante-séchante préfère procéder à la répartition du linge plutôt qu'à son essorage. Pour une meilleure répartition de la charge et un bon équilibrage, nous conseillons de mélanger de grandes et petites pièces de linge.

Anti-froissement

Cette fonction interrompt le programme de lavage en laissant le linge tremper dans l'eau avant la vidange. Elle n'est active qu'avec le programme **9** (Soie/Rideaux) et elle sert à éviter la formation de plis.

Pour compléter le cycle de lavage, appuyer sur la touche MARCHE/PAUSE.

Anomalies et remèdes

Il peut arriver que le lavante-séchante ne fonctionne pas bien. Avant d'appeler le Service de dépannage (voir "Assistance"), contrôler s'il ne s'agit pas par hasard d'un problème facile à résoudre à l'aide de la liste suivante.

Anomalies:

Le lavante-séchante ne s'allume pas.

Le cycle de lavage ne démarre pas.

Il n'y a pas d'arrivée d'eau (le voyant de la première phase de lavage clignote rapidement).

Le lavante-séchante prend l'eau et vidange continuellement.

Le lavante-séchante ne vidange pas et n'essore pas.

Le lavante-séchante vibre beaucoup pendant l'essorage.

Le lavante-séchante a des fuites.

Le voyant START/PAUSE(orange) ainsi que les voyants des fonctions clignotent rapidement.

Il y a un excès de mousse.

Le lavante-séchante ne sèche pas.

Causes / Solutions possibles:

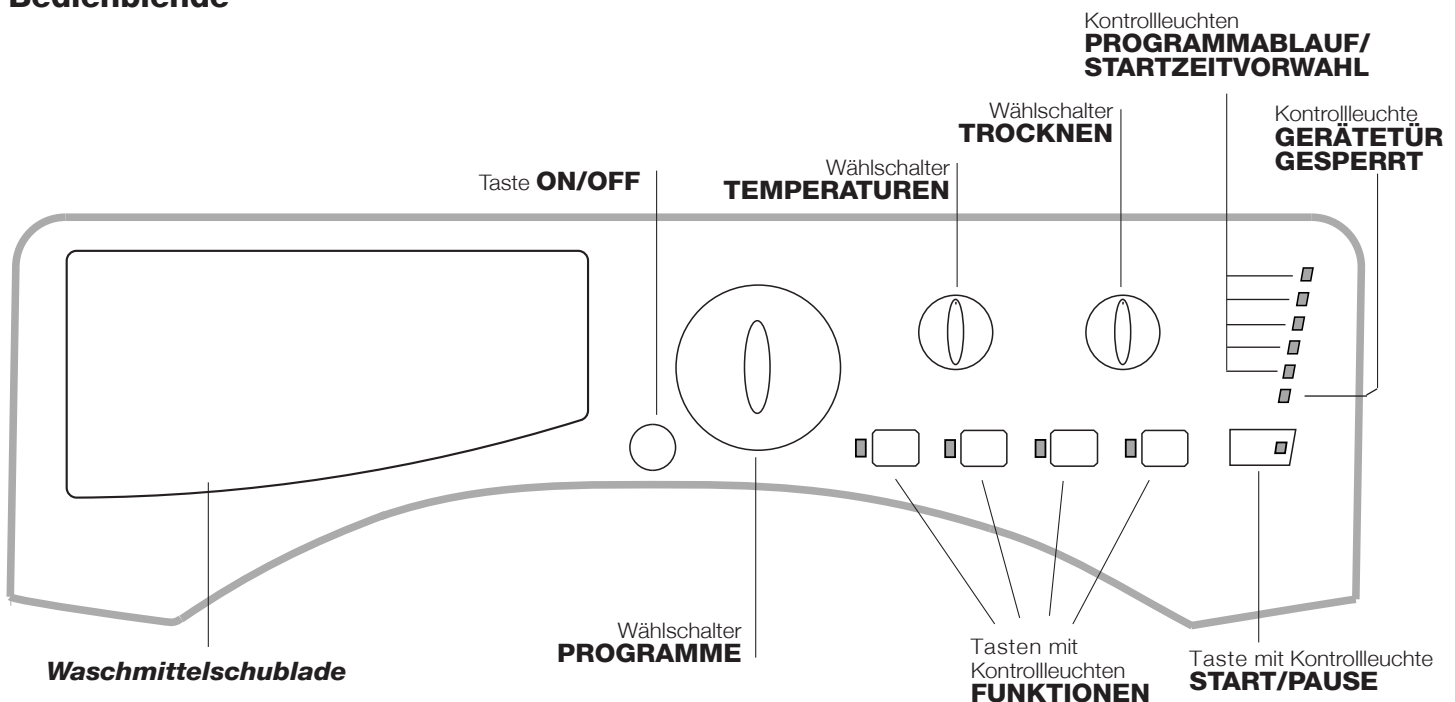
- La fiche n'est pas branchée dans la prise de courant ou mal branchée.
- Il y a une panne de courant.
- Le hublot n'est pas bien fermé.
- La touche ON/OFF n'a pas été enfoncée.
- La touche START/PAUSE n'a pas été enfoncée.
- Le robinet de l'eau n'est pas ouvert.
- Un départ différé a été sélectionné (voir "Personnalisations").
- Le tuyau d'arrivée de l'eau n'est pas raccordé au robinet.
- Le tuyau est plié.
- Le robinet de l'eau n'est pas ouvert.
- Il y a une coupure d'eau.
- La pression n'est pas suffisante.
- La touche START/PAUSE n'a pas été enfoncée.
- Le tuyau de vidange n'est pas installé à une distance du sol comprise entre 65 et 100 cm (voir "Installation").
- L'extrémité du tuyau de vidange est plongée dans l'eau (voir "Installation").
- L'évacuation murale n'a pas d'évent.

Si après ces vérifications, le problème persiste, fermer le robinet de l'eau, éteindre la machine et appeler le service Assistance. Si l'appartement est situé en étage dans un immeuble, il peut y avoir des phénomènes de siphonnage qui font que le lavante-séchante prend et évacue l'eau continuellement. Pour supprimer cet inconvénient, on trouve dans le commerce des soupapes spéciales anti-siphonnage.

- Le programme ne prévoit pas de vidange: pour certains programmes, il faut la faire partir manuellement.
- La fonction "Anti-froissement" est activée: pour compléter le programme, appuyer sur la touche START/PAUSE ("Personnalisations").
- Le tuyau de vidange est plié (voir "Installation").
- La conduite d'évacuation est bouchée.
- Le tambour n'a pas été débloqué comme il faut lors de l'installation du lavante-séchante (voir "Installation").
- Le lavante-séchante n'est pas posé à plat (voir "Installation").
- Le lavante-séchante est coincé entre des meubles et le mur (voir "Installation").
- Le tuyau d'arrivée de l'eau n'est pas bien vissé (voir "Installation").
- Le tiroir à produits lessiviels est bouché (pour le nettoyer voir "Entretien et soin").
- Le tuyau de vidange n'est pas bien fixé (voir "Installation").
- Eteindre l'appareil et débrancher la fiche de la prise de courant, attendre 1 minute environ avant de rallumer.
Si l'anomalie persiste, appeler le service d'assistance.
- Le produit de lavage utilisé n'est pas une lessive spéciale machine (il faut qu'il y ait l'inscription "pour lavante-séchante", "main et machine", ou autre semblable).
- La quantité utilisée est excessive.
- La fiche n'est pas branchée dans la prise de courant ou mal branchée.
- Il y a une panne de courant.
- Le hublot n'est pas bien fermé.
- Un départ différé a été sélectionné.
- le bouton SÉCHAGE est sur la position ☀.

Beschreibung des Waschtrockner und Starten eines Waschprogramms

Bedienblende



Waschmittelschublade: für Waschmittel und Zusätze (siehe „Waschmittel und Wäsche“).

Taste ON/OFF: Zum Ein- und Ausschalten Ihres Waschtrockners.

Wählschalter PROGRAMME: Zur Wahl der Waschprogramme. Während des Programmablaufs bleibt der Schalter feststehend.

Tasten mit Kontrollleuchten FUNKTIONEN: Zur Einstellung der verfügbaren Funktionen. Die der gewählten Einstellung entsprechende Kontrollleuchte bleibt eingeschaltet.

Wählschalter TROCKNEN: Zur Einstellung des gewünschten Trocknungsgrades (siehe „Personalisierungen“).

Wählschalter TEMPERATUREN: Zur Einstellung der Wassertemperatur oder einer Kaltwäsche (siehe „Personalisierungen“).

Kontrollleuchten PROGRAMMABLAUF/STARTZEITVORWAHL: Zur Kontrolle des Waschprogrammablaufs.

Die eingeschaltete Kontrollleuchte zeigt die laufende Programmphase an.

Wurde die Funktion „Startzeitvorwahl“ eingestellt, zeigen sie die bis zum Start noch verbleibende Zeit an (siehe Nebenseite).

Kontrollleuchte GERÄTETÜR GESPERRT: Diese Taste zeigt an, ob die Gerätetür geöffnet werden kann oder nicht (siehe Nebenseite).

Taste mit Kontrollleuchte START/PAUSE: Mittels dieser Taste werden die Waschprogramme gestartet oder kurz unterbrochen.

NB: durch Drücken dieser Taste, kann das Waschprogramm zeitweilig unterbrochen werden (Pause). Die entsprechende Kontrollleuchte schaltet auf orangefarbenes Blinklicht, die Kontrollleuchte der bestehenden Programmphase dagegen schaltet auf Dauerlicht. Sobald die Kontrollleuchte GERÄTETÜR GESPERRT erlischt, kann die Gerätetür geöffnet werden.

Um das Programm an der Stelle, an der es unterbrochen wurde, wieder in Gang zu setzen, drücken Sie diese Taste erneut.

Funktion Standby

Zur Erfüllung der neuen Richtlinien zum Energieverbrauch ist diese Waschmaschine mit einem automatischen Ausschaltensystem (Standby) ausgestattet, das nach 30 Minuten des Nichtgebrauchs in Funktion tritt. Drücken Sie kurz die Taste ON/OFF und warten Sie, bis sich die Maschine wieder einschaltet.

Verbrauch in Off-Betrieb: 0,5 W

Verbrauch in Left-On: 0,5 W

Kontrollleuchten

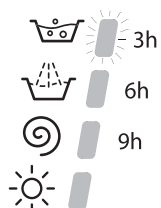
Die Kontrollleuchten liefern wichtige Hinweise. Sie signalisieren:

Startzeitvorwahl

Wurde die Funktion „Startzeitvorwahl“ (siehe „Personalisierungen“) aktiviert, und das Programm in Gang gesetzt, schaltet die Kontrollleuchte, die der eingestellten Zeitverschiebung entspricht, auf Blinklicht:



Nach und nach wird die bis zum effektiven Start noch verbleibende Zeit eingeleuchtet, die entsprechende Kontrollleuchte blinkt:



Nach Ablauf der vorgewählten Zeit erlischt die Kontrollleuchte und das gewählte Waschprogramm startet.

Laufende Programmphase

Wurde das Waschprogramm gewählt und gestartet, leuchten die Kontrollleuchten nach und nach auf, und zeigen so den jeweiligen Programmstand an.

Hauptwäsche



Spülen



Schleudern



Trocknen



Ende des Waschgangs



Anmerkung: sobald ein Trocknungsgrad oder die Dauer des Trocknungsganges eingestellt wird leuchtet die Kontrollleuchte auf, um anzuzeigen, dass nach dem Waschgang ein Trocknungsgang erfolgt.

Note: Während des Abpumpens (Programmphase „Abpumpen“) leuchtet die Kontrollleuchte der Programmphase „Schleudern“ auf.

Funktionstasten und entsprechende Kontrollleuchten

Nach der Wahl einer Funktion leuchtet die entsprechende Taste auf. Ist die gewählte Funktion nicht vereinbar mit dem eingestellten Programm, schaltet die entsprechende Kontrollleuchte auf Blinklicht und die Funktion wird nicht aktiviert. Wird eine Funktion eingestellt, die zu der bereits eingestellten nicht zugeschaltet werden kann, bleibt nur die zuletzt gewählte aktiv.

⚠️ Kontrollleuchte Gerätetür gesperrt:

Ist diese Kontrollleuchte eingeschaltet, bedeutet dies, dass die Gerätetür gesperrt ist, um ungewolltes Öffnen zu vermeiden; warten Sie, bis die Leuchte erlischt, bevor Sie die Gerätetür öffnen, um Schäden zu vermeiden.

NB: Die Gerätetür kann nicht geöffnet werden, wenn die Funktion „Startzeitvorwahl“ aktiviert wurde. Um sie zu öffnen, drücken Sie die Taste START/PAUSE.

! Das rasche Blinken der Kontrollleuchte START/PAUSE (orangefarben) bei gleichzeitigem Blinken der Funktionleuchten signalisiert eine Geräte störung (siehe „Störungen und Abhilfe“).

Starten eines Waschprogramms

- Schalten Sie das Gerät über die ON/OFF-Taste ein. Sämtliche Kontrollleuchten leuchten für einige Sekunden auf, dann bleiben die Kontrollleuchten der Einstellungen des ausgewählten Programms eingeschaltet und die Kontrollleuchte START/PAUSE schaltet auf Blinklicht.
- Füllen Sie die Wäsche ein, und schließen Sie die Gerätetür.
- Stellen Sie mittels des Wählschalters PROGRAMME das gewünschte Programm ein.
- Stellen Sie die Waschtemperatur ein (siehe „Personalisierungen“).
- Trocknungsprogramm falls erforderlich einstellen (siehe „Personalisierungen“).
- Füllen Sie Waschmittel und Zusätze ein (siehe „Waschmittel und Wäsche“).
- Wählen Sie die gewünschten Funktionen.
- Setzen Sie das Programm in Gang. Drücken Sie hierzu die Taste START/PAUSE. Die entsprechende Kontrollleuchte bleibt eingeschaltet (grünes Dauerlicht). Um die Waschprogramm-Einstellung rückgängig zu machen, muss das Gerät auf Pause geschaltet werden. Drücken Sie hierzu die Taste START/PAUSE. Wählen Sie daraufhin das neue Programm.
- Nach Ablauf des Waschprogramms leuchtet die Kontrollleuchte END auf. Die Kontrollleuchte TÜR GESPERRT erlischt, was bedeutet, dass die Gerätetür geöffnet werden kann. Nehmen Sie die Wäsche aus der Maschine und lassen Sie die Gerätetür leicht offen stehen, damit die Trommel trocknen kann. Schalten Sie den Waschtrockner durch Drücken der ON/OFF-Taste aus.

Waschprogramme

Programmtabelle

Waschprogramme	Beschreibung des Programms	Max. Temperatur (°C)	Max. Schleudergeschwindigkeit (U/min)	Trocknen	Waschmittel			Max. Beladungsmenge (kg)	Programmdauer
					Bleichmittel	Hauptwäsche	Weichspüler		
Programme für die tägliche Wäsche									
1	Baumwolle: stark verschmutzte Weiß- und farbechte Buntwäsche.	60°	1200	●	●	●	●	7	135'
2	Baumwolle-Buntwäsche: leicht verschmutzte Weißwäsche und empfindliche Buntwäsche.	40°	1200	●	●	●	●	7	90'
3	Synthetik: stark verschmutzte, farbechte Buntwäsche.	60°	800	●	-	●	●	3	115'
4	Mix 30': zum kurzen Auffrischen leicht verschmutzter Wäsche (nicht geeignet für Wolle, Seide und Handwäsche).	30°	800	●	-	●	●	3	30'
5	Mix 15': zum kurzen Auffrischen leicht verschmutzter Wäsche (nicht geeignet für Wolle, Seide und Handwäsche).	30°	800	●	-	●	●	1,5	15'
Spezialprogramme									
6	Hygiene zyklus: stark verschmutzte Weißwäsche.	90°	1200	●	●	●	●	7	190'
6	Hygiene zyklus (1): stark verschmutzte Weiß- und farbechte Buntwäsche.	60°	1200	●	-	●	●	7	190'
6	Hygiene zyklus (2): leicht verschmutzte Weiß- und farbechte Buntwäsche.	40°	1200	●	-	●	●	7	145'
7	Gute nacht: leicht verschmutzte empfindliche Buntwäsche.	40°	800	-	-	●	●	4	290'
8	Baby zyklus: stark verschmutzte empfindliche Buntwäsche.	40°	800	●	-	●	●	3	120'
9	Seide/Gardinen: Kleidungsstücke aus Seide, Viskose und Feinwäsche.	30°	0	-	-	●	●	1	55'
10	Wolle: Wolle, Kaschmir usw.	40°	800	●	-	●	●	1,5	70'
Teilprogramme									
A	Spülen	-	1200	●	-	-	●	7	36'
B	Schleudern	-	1200	●	-	-	-	7	16'
C	Abpumpen	-	0	-	-	-	-	7	2'
Trocknungsprogramme									
11	Trocknungsprogramm "Baumwolle"	-	-	●	-	-	-	5	-
12	Trocknungsprogramm ""Synthetik""	-	-	●	-	-	-	3	-
13	Trocknungsprogramm „Wolle“	-	-	●	-	-	-	1,5	-

Die auf dem Display und in der Bedienungsanleitung genannte Zyklusdauer wird ausgehend von Standardbedingungen berechnet. Die effektiv benötigte Zeit kann aufgrund zahlreicher Faktoren wie Temperatur und Druck des Zulaufwassers, Raumtemperatur, Waschmittelmenge, Art, Menge und Verteilung der Waschladung sowie der gewählten Zusatzfunktionen variieren.

Für alle Testinstitute:

- 1) Prüfprogramm gemäß EN 50229: Programm 6 und eine Temperatur von 60°C einstellen.
- 2) Langes Baumwollprogramm: Programm 6 und eine Temperatur von 40°C einstellen.

Sonderprogramme

Hygiene zyklus (Programm 6). Ein Programm zur Hygienisierung bei hohen Temperaturen, welches Bleichmittel und eine Waschtrommeltemperatur von mehr als 60°C vorsieht. Geben Sie das Bleichmittel, das Waschmittel und die Zusätze in die entsprechenden Kammern (siehe Absatz „Waschmittelschublade“).

Gute Nacht (Programm 7). Ein Flüsterprogramm, das nachts und demnach bei verbilligtem Nachttarif arbeiten kann. Das Programm wurde für Wäsche aus Kunstfasern und Baumwolle konzipiert. Nach Ablauf des Waschgangs stoppt die Maschine, ohne das Wasser abzupumpen. Um die Schleuder und den Wasserablauf in Gang zu setzen drücken Sie die Taste START/PAUSE, andernfalls setzt die Maschine nach Ablauf von 8 Stunden die Schleuder automatisch in Gang und pumpt das Wasser ab.

Baby zyklus (Programm 8). Dieses Programm ist in der Lage, die durch Kinder verursachten, typischen Flecken zu beseitigen, und die Waschmittel optimal auszuspülen, um Allergien an der empfindlichen Kinderhaut zu vermeiden. Dieser Zyklus wurde konzipiert, um Bakterienvorkommen zu reduzieren, dank des Einsatzes einer erheblich größeren Wassermenge und Optimierung spezifischer, hygienisierender Waschmittelzusätze.

Am Ende des Waschgangs erfolgen einige langsame und sanfte Trommelumdrehungen, um Knitterbildung zu vermeiden. Drücken Sie abschließend die Taste START/PAUSE.

Mix 30' (Programm 4) Kurzprogramm für die tägliche Wäsche leicht verschmutzter Teile: in nur 30 Minuten, zur Einsparung von Zeit und Energie. Stellen Sie dieses Waschprogramm (4 bei 30°C) ein, dann können, bei einer maximalen Lademenge von 3 kg, Gewebe unterschiedlicher Art (mit Ausnahme von Wolle und Seide) zusammen gewaschen werden.

Mix 15' (Programm 5) Kurzprogramm für die Wäsche leicht verschmutzter Teile: in nur 15 Minuten, zur Einsparung von Zeit und Energie. Stellen Sie dieses Waschprogramm (5 bei 30°C) ein, dann können, bei einer maximalen Lademenge von 1,5 kg, Gewebe unterschiedlicher Art (mit Ausnahme von Wolle und Seide) zusammen gewaschen werden.

Personalisierungen

Temperatureinstellung

Drehen Sie den Wählschalter „TEMPERATUREN“, um die Waschtemperatur einzustellen (siehe *Programmtabelle*). Die Temperatur kann bis auf Kaltwäsche (❄️) herabgesetzt werden.

Der Wäschetrockner verhindert automatisch die Einstellung einer höheren Schleuderstufe, sollte diese die für das jeweilige Programm vorgeschriebene Höchstgeschwindigkeit übersteigen.

Trocknungsprogramm einstellen

Durch Drehen des Wahlschalters TROCKNEN kann der gewünschte Trocknungsgrad eingestellt werden. Es stehen zwei Möglichkeiten zur Verfügung:

A - Je nach der Zeit: Von **40** bis **180** Minuten.

B - Je nach Feuchtigkeitsgrad der getrockneten Wäsche:

Bügel ☞: noch leicht feuchte, einfach zu bügelnde Wäsche.

Kleiderbügel ☞: schrankfertige Wäsche.

Schrank ☞: absolut trockene Wäsche, empfohlen für Frotteetücher, Badetücher und -mäntel.

Bei Überschreitung der max. Füllmenge der Wäscheladung für waschen und trocknen in einem Programmablauf (siehe *Tabelle zur Dauer der Trockenprogramme*), aktivieren Sie zuerst das Waschprogramm. Nach Ablauf des Waschprogramms teilen Sie die Waschlading so auf, dass nur die max. mögliche

Füllmenge zum Trocknen in der Trommel verbleibt. Befolgen Sie daraufhin die Anleitungen des Abschnitts **“Nur Trocknen”**. Wiederholen Sie dasselbe nun mit der restlichen Wäschemenge.

N.B: Dem Trocknungsgang folgt eine kurze Abkühlzeit, auch wenn der Wahlschalter TROCKNEN auf die Position ☞ gedreht wird.

Nur Trocknen

Drehen Sie den Wählschalter PROGRAMME auf eine der Trocknungszyklen (**11-12-13**), je nach Gewebe, und wählen Sie daraufhin mittels des Schalters TROCKNEN die Dauer des gewünschten Trocknungsganges.

Funktionen

Die verschiedenen Waschfunktionen, die Ihnen Ihr Wäschetrockner bietet, ermöglichen es Ihnen, hygienisch saubere und weiße Wäsche zu erhalten, die Ihren Wünschen entspricht.

Aktivierung der Funktionen:

1. Drücken Sie die Taste, die der gewünschten Funktion entspricht.
2. Das Aufleuchten der entsprechenden Kontrollleuchte zeigt an, dass die Funktion aktiviert wurde.

Anmerkung: Sollte die Kontrollleuchte jedoch auf rasches Blinklicht schalten, dann bedeutet dies, dass die Funktion zu dem eingestellten Programm nicht zugeschaltet werden kann.

Startzeitvorwahl

Der Start des Waschprogramms kann bis zu 9 Stunden verschoben werden.

Drücken Sie die Taste mehrmals, bis die der gewünschten Zeitverschiebung entsprechende Kontrollleuchte aufleuchtet. Ein fünfter Tastendruck deaktiviert die Funktion.

NB: Ist die Taste START/RESET einmal gedrückt, kann der gewählte Zeitverschiebungswert nur noch herabgesetzt werden.

! Obiges gilt für alle Programme.

Extra Spülgang

Wählen Sie diese Funktion, wird die Spülwirkung erhöht, und somit ein optimales Ausspülen des Waschmittels garantiert. Dies ist besonders angezeigt bei sehr empfindlicher Haut bzw. Waschmittelallergien.

! Diese Funktion kann zu den Programmen 4, 5, 11, 12, 13, B, C nicht zugeschaltet werden.

Super wash

Dank der Erhöhung der Wassermenge sowie der Waschdauer in der Anfangsphase des Waschvorgangs, garantiert diese Funktion beste Waschergebnisse.

! Diese Funktion kann zu den Programmen 4, 5, 6, 9, 10, 11, 12, 13, A, B, C nicht zugeschaltet werden.

1200-600

Mit dieser Taste wird die Schleudergeschwindigkeit reduziert.

! Diese Funktion kann zu den Programmen 9, C, 11, 12, 13 nicht zugeschaltet werden.

Tabelle zur Dauer der Trockenprogramme (Richtwerte)

Gewebeart	Art der Ladung	Max. Lademenge (kg)	Schrank 	Kleiderbügel 	Bügel 
Baumwolle	Unterschiedlich große Wäscheteile, Frotteehandtücher	5	180	170	160
Synthetik	Bettwäsche, Oberhemden, Schlafanzüge, Socken usw.	3	180	170	160
Wolle	Pullis, Pullover usw.	1,5	150	140	130

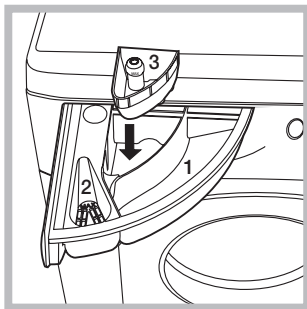
Waschmittel und Wäsche

DE

Waschmittel und Wäsche

Ein gutes Waschergebnis hängt auch von einer korrekten Waschmitteldosierung ab: Eine zu hohe Dosierung bedeutet nicht unbedingt reinere Wäsche, sie trägt nur dazu bei, die Maschineninnenteile zu verkrusten und die Umwelt zu belasten.

! Verwenden Sie keine Handwaschmittel, sie verursachen eine zu hohe Schaumbildung.



Schublade herausziehen und Waschmittel oder Zusätze wie folgt einfüllen:

In Kammer 1: Waschmittel für die Hauptwäsche (Waschpulver oder Flüssigwaschmittel)

Flüssigwaschmittel nur kurz vor dem Start einfüllen.

In Kammer 2: Zusätze (Weichspüler usw.)

Der Weichspüler darf das Gitter nicht übersteigen.

Zusätzliche Kammer 3: Bleichmittel

Bleichen

Bleichen ist nur bei den Programmen **1, 2, 6** möglich. Füllen Sie das Bleichmittel in die Dosierkammer **3** ein, und das Waschmittel und den Weichspüler in die entsprechenden Dosierkammern. Stellen Sie dann eines der obigen Programme ein.

Diese Funktion eignet sich nur für stark verschmutzte Baumwollwäsche.

Vorsortieren der Wäsche

- Sortieren Sie die Wäsche nach:
 - Gewebeat / Waschetikettensymbol.
 - und Farben: Buntwäsche von Weißwäsche trennen.
- Entleeren Sie alle Taschen.
- Das in der „Programmtabelle“ angegebene Gewicht, beschreibt die maximale Ladung Trockenwäsche und darf nicht überschritten werden.

Wie schwer ist Wäsche?

- 1 Betttuch 400-500 gr
- 1 Kissenbezug 150-200 gr
- 1 Tischdecke 400-500 gr
- 1 Bademantel 900-1.200 gr
- 1 Handtuch 150-250 gr

Besondere Wäscheteile

Seide: wählen Sie das Spezialprogramm **9** zum Waschen aller Kleidungs- bzw. Wäschestücke aus Seide. Es empfiehlt sich der Einsatz von Feinwaschmittel.

Gardinen: Gardinen zusammengefaltet in einem Kissenbezug oder in einem netzartigen Beutel waschen. Stellen Sie das Programm **9** ein.

Wolle: Das Waschprogramm „Wolle“ dieser Waschmaschine Hotpoint-Ariston wurde von der Woolmark Company für die Wäsche von mit „Handwäsche“ gekennzeichneten Wollekleidungsstücken getestet und anerkannt, vorausgesetzt die Wäsche erfolgt gemäß der Anweisungen auf Etikett des Kleidungsstück und den Angaben des Herstellers des Haushaltsgeräts. Hotpoint-Ariston ist die erste Waschmaschinenmarke, die von der Woolmark Company die Zertifizierung Woolmark Apparel Care - Platinum für ihre Wascheleistungen und den Verbrauch von Wasser und Energie erhalten hat. (M1126)



Unwuchtkontrollsystem

Um starke Vibrationen oder eine Unwucht beim Schleudern zu vermeiden, verfügt das Gerät über ein Schleudrunwuchtsystem. Die Waschladung wird durch eine erhöhte Rotation der Trommel als die des Waschganges ausbalanciert. Sollte die Wäscheladung nach Ablauf mehrerer Versuche immer noch nicht korrekt verteilt sein, schleudert das Gerät die Wäsche bei einer niedrigeren Geschwindigkeit als die der vorgesehenen Schleudergeschwindigkeit. Sollte die Wäsche extrem ungleichmäßig verteilt sein, führt das Gerät anstelle des Schleuderganges einen Wäscheverteilungs-Zyklus durch. Um eine optimale Verteilung der Wäscheladung und somit eine korrekte Auswuchtung zu fördern, sollten große und kleine Wäscheteile gemischt eingefüllt werden.

Knitterschutz

Diese Funktion unterbricht das Waschprogramm, das Wasser wird nicht abgepumpt, die Wäsche bleibt im Wasser liegen. Die Funktion ist nur beim Programm **9** (Seide/Gardinen) aktiv und dient zur Reduzierung der Knitterbildung.

Um den Zyklus abzuschließen drücken Sie die Taste START/PAUSE.

Störungen und Abhilfe

Bei Funktionsstörung: Bevor Sie sich an den Technischen Kundendienst wenden (siehe „Kundendienst“), vergewissern Sie sich zuerst, ob es sich nicht um eine Kleinigkeit handelt, die Sie selbst beheben können. Ziehen Sie hierzu nachstehendes Verzeichnis zu Rate.

Störungen:

Der Wäschetrockner schaltet sich nicht ein.

Der Waschgang startet nicht.

Der Wäschetrockner lädt kein Wasser. Die Kontrollleuchte der ersten Wäschephase blinkt (rasches Blinklicht).

Der Wäschetrockner lädt laufend Wasser und pumpt es laufend ab.

Der Wäschetrockner pumpt nicht ab und schleudert nicht.

Der Wäschetrockner vibriert zu stark während des Schleuderns.

Der Wäschetrockner ist undicht.

Die Kontrollleuchte START/PAUSE (orange) und die Funktionsleuchten blinken (rasches Blinklicht).

Es bildet sich zu viel Schaum.

Der Wäschetrockner trocknet nicht.

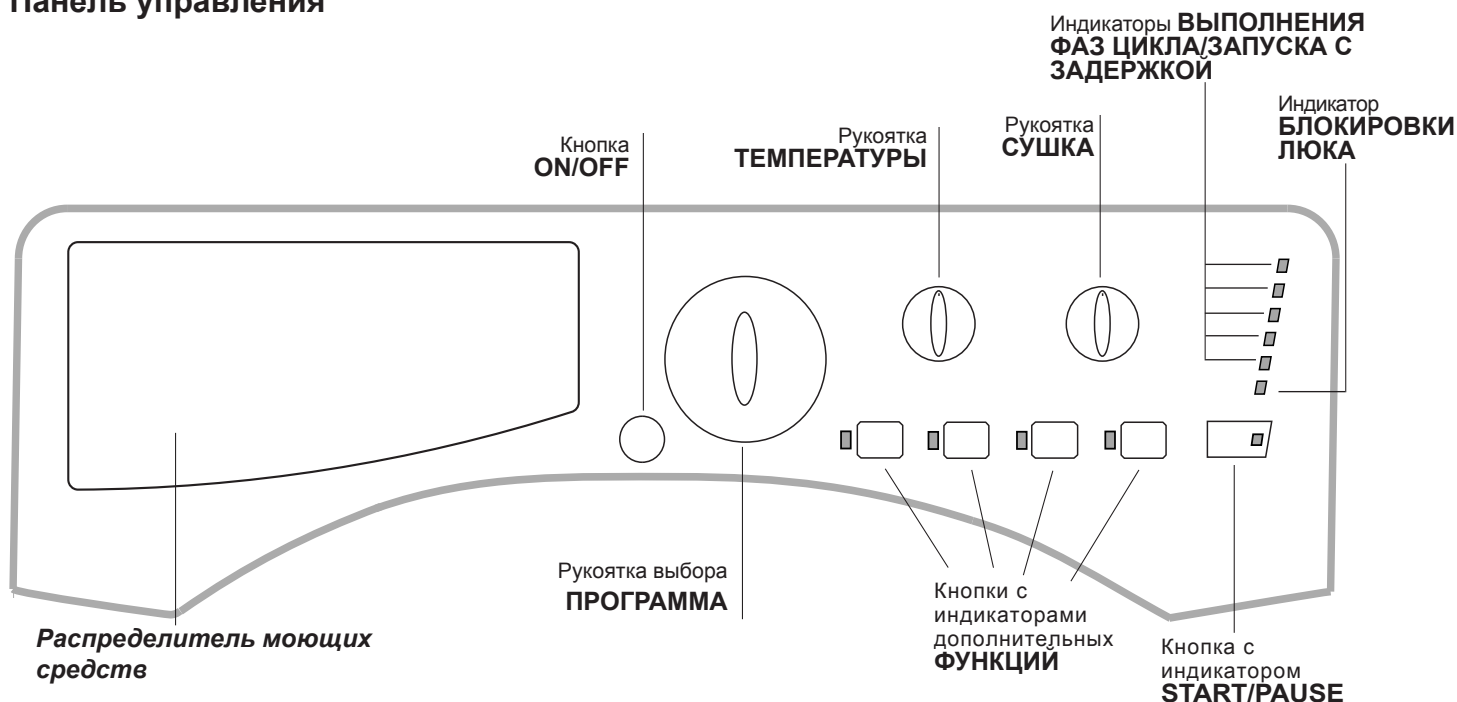
Mögliche Ursachen / Lösungen:

- Der Stecker steckt nicht in der Steckdose, oder nicht so, dass der Kontakt hergestellt wird.
- Der Strom ist ausgefallen.
- Die Gerätetür wurde nicht vorschriftsmäßig geschlossen.
- Die ON/OFF-Taste wurde nicht gedrückt.
- Die Taste START/PAUSE wurde nicht gedrückt.
- Der Wasserhahn ist nicht aufgedreht.
- Es wurde ein verzögerter Start gewählt (siehe „Personalisierungen“).
- Der Zufuhrschlauch ist nicht am Wasserhahn angeschlossen.
- Der Schlauch ist geknickt.
- Der Wasserhahn ist nicht aufgedreht.
- Es ist kein Wasser da.
- Der Druck ist unzureichend.
- Die Taste START/PAUSE wurde nicht gedrückt.
- Der Ablaufschlauch befindet sich nicht auf der vorgeschriebenen Höhe, d.h. 65 – 100 cm vom Boden (siehe „Installation“).
- Das Schlauchende liegt unter Wasser (siehe „Installation“).
- Der Abfluss der Hausinstallation wurde nicht mit einer Entlüftungsöffnung versehen. Konnte die Störung durch diese Kontrollen nicht behoben werden, dann drehen Sie den Wasserhahn zu, schalten das Gerät aus und fordern den Kundendienst an. Falls Sie in einer der obersten Etagen eines Gebäudes wohnen, kann es vorkommen, dass sich im Syphon ein Vakuum bildet, und der Wäschetrockner ständig Wasser ansaugt und wieder abpumpt. Zur Lösung dieser Probleme bietet der Handel spezielle Syphonventile.
- Das Programm siehe kein Abpumpen vor: Bei einigen Programmen muss es von Hand eingestellt werden.
- Die Funktion „Knitterschutz“ wurde aktiviert: zur Beendigung des Programms Taste START/PAUSE drücken (siehe „Personalisierungen“).
- Der Ablaufschlauch ist geknickt (siehe „Installation“).
- Die Ablaufleitung ist verstopft.
- Die Trommel wurde bei der Installation nicht korrekt befreit (siehe „Installation“).
- Der Wäschetrockner steht nicht eben (siehe „Installation“).
- Der Wäschetrockner steht zu eng zwischen der Wand und einem Möbel (siehe „Installation“).
- Der Zulaufschlauch wurde nicht ordnungsgemäß aufgeschraubt (siehe „Installation“).
- Die Waschlappenschublade ist verstopft (zur Reinigung siehe „Wartung und Pflege“).
- Der Ablaufschlauch ist nicht korrekt befestigt (siehe „Installation“).
- Schalten Sie das Gerät aus und ziehen Sie den Netzstecker; warten Sie daraufhin ca. 1 Minute und schalten Sie es wieder ein. Bleibt die Störung bestehen, kontaktieren Sie bitte den Kundendienst.
- Das Waschmittel ist für Waschmaschinen nicht geeignet (es muss mit der Aufschrift „Für Waschmaschinen“, „Für Handwäsche und Waschmaschinen“ usw. versehen sein).
- Es wurde zu hoch dosiert.
- Der Stecker steckt nicht in der Steckdose, oder nicht so, dass der Kontakt hergestellt wird.
- Der Strom ist ausgefallen.
- Das Füllfenster ist nicht richtig geschlossen.
- Es wurde ein verzögerter Start gewählt.
- Der Wählschalter TROCKNEN befindet sich auf Position ☀.

Описание стиральной машины и порядка запуска программы

CIS

Панель управления



Распределитель моющих средств: для загрузки стиральных веществ и добавок (см. «Моющие средства и типы белья»).

Кнопка ON/OFF: служит для включения и выключения стиральной машины.

Рукоятка выбора ПРОГРАММА: служит для выбора программ. В процессе выполнения программы рукоятка не вращается.

Кнопки с индикаторами дополнительных ФУНКЦИЙ: служат для выбора имеющихся дополнительных функций. Индикатор, соответствующий выбранной функции, останется включенным.

Рукоятка СУШКА: для выбора нужного цикла сушки (см «Персонализированные настройки»).

Рукоятка ТЕМПЕРАТУРЫ: служит для настройки температуры или для стирки в холодной воде (см. «Персонализированные настройки»).

Индикаторы ВЫПОЛНЕНИЯ ФАЗ ЦИКЛА/ЗАПУСКА С ЗАДЕРЖКОЙ: показывают последовательность выполнением программы стирки. Включенный индикатор соответствует текущей фазе. Если была включена функция «Таймер отсрочки», индикаторы будут показывать время, остающееся до запуска программы (см. страницу сбоку).

Индикатор БЛОКИРОВКИ ЛЮКА: показывает, можно ли открыть люк (см. страницу сбоку).

Кнопка с индикатором START/PAUSE: служит для запуска или для временного прерывания программы.

ПРИМЕЧАНИЕ: для временного прерывания текущего цикла стирки нажмите эту кнопку. Соответствующий индикатор замигает оранжевым цветом, а индикатор текущей фазы стирки будет гореть, не мигая. Если индикатор БЛОКИРОВКИ ЛЮКА $\neq 0$ погас, можно открыть люк. Для возобновления цикла стирки с момента, когда он был прерван, вновь нажмите START/PAUSE.

Режим ожидания

Настоящая стиральная машина отвечает требованиям новых нормативов по экономии электроэнергии, укомплектована системой автоматического отключения (режим сохранения энергии), включающейся через 30 минут простоя машины. Нажмите один раз кнопку ON/OFF и подождите, пока машина вновь включится.

Индикаторы

Индикаторы сообщают пользователю важные сведения. Значение индикаторов:

Таймер отсрочки

Если была включена функция «Таймер отсрочки» (см. «Персонализированные настройки»), после запуска программы начнет мигать индикатор, соответствующий заданному времени задержки:



По мере отсчета времени будет показываться остающееся время вместе с миганием соответствующего индикатора.



По прошествии заданного времени задержки мигающий индикатор погаснет, и запустится заданная программа.

Индикаторы текущей фазы цикла:

После выбора и запуска цикла стирки индикаторы будут загораться один за другим, показывая последовательность выполнения программы:

Стирка



Полоскание



Отжим



Сушка



Конец цикла

END

Примечание: После настройки мощности и продолжительности сушки загорается данный индикатор, показывая, что по завершении выбранного цикла стирки будет выполнен цикл сушки.

Примечание: в процессе фазы «Слив» загорится индикатор, соответствующий фазе «Отжим».

Кнопки дополнительных функций и соответствующие индикаторы

При выборе функции загорается соответствующая кнопка. Если выбранная функция является несовместимой с заданной программой, соответствующий индикатор будет мигать, и такая функция не будет включена. Если будет выбрана функция, несовместимая с другой, ранее выбранной функцией, останется включенной только последняя выбранная функция.

Индикатор блокировки люка:

Включенный индикатор означает, что люк заблокирован во избежание его случайного открывания. Во избежание его повреждения необходимо дождаться, когда индикатор погаснет, перед тем как открыть люк.

ПРИМЕЧАНИЕ: если включена функция «Таймер отсрочки», люк открыть нельзя. Для этого необходимо переключить машину в режим паузы при помощи кнопки START/PAUSE.

! Быстрое мигание индикатора START/PAUSE (оранжевый) одновременно с индикатором функций означает неисправность (см. «Неисправности и методы их устранения»).

Порядок запуска программы

1. Включите машину при помощи кнопки ВКЛ./ВЫКЛ. Все индикаторы загорятся на несколько секунд, затем останутся включенными индикаторы настроек выбранной программы, и будет мигать индикатор START/PAUSE.
2. Загрузите белье в барабан и закройте люк.
3. Задайте рукояткой ПРОГРАММА нужную программу.
4. Задайте температуру стирки (см. «Персонализированные настройки»).
5. При необходимости запрограммируйте цикл сушки (см. «Персонализированные настройки»).
6. Поместите моющие средства и добавки (см. «Стиральные вещества и типы белья»).
7. Включите нужные дополнительные функции.
8. Запустите программу при помощи кнопки START/PAUSE, соответствующий индикатор загорится зеленым цветом. Для отмены заданного цикла переключите машину в режим паузы при помощи кнопки START/PAUSE и выберите новый цикл.
9. По завершении программы загорится индикатор END. Индикатор БЛОКИРОВКИ ЛЮКА погаснет, показывая, что теперь можно открыть люк. Выньте белье и оставьте люк полуоткрытым для сушки барабана. Выключите стиральную машину, нажав кнопку ON/OFF.

Программы

Таблица программ

Программы	Описание программы	Макс. темп. (°C)	Макс. скорость (об./мин.)	Сушка	Стиральные средства			Макс. загрузка (кг)	Продолжить цикла
					Отбеливатель	Стирка	Ополаскиватель		
Ежедневные программы									
1	ХЛОПОК: сильнозагрязненное белое и прочное цветное белье.	60°	1200	●	●	●	●	7	135'
2	ХЛОПОК (3): сильнозагрязненное белое и цветное деликатное белье.	40°	1200	●	●	●	●	7	90'
3	СИНТЕТИКА: Сильнозагрязненное белье прочное цветное белье.	60°	800	●	-	●	●	3	115'
4	МИКС 30': Для быстрого освежения малогазяного белья (не для шерсти, шелка и изделия ручной стирки).	30°	800	●	-	●	●	3	30'
5	МИКС 15': Для быстрого освежения малогазяного белья (не для шерсти, шелка и изделия ручной стирки).	30°	800	●	-	●	●	1,5	15'
Специальные программы									
6	ЦИКЛ АНТИБАКТЕРИЯ: сильнозагрязненное белое белье.	90°	1200	●	●	●	●	7	190'
6	ЦИКЛ АНТИБАКТЕРИЯ (1): сильнозагрязненное белое и прочное цветное белье.	60°	1200	●	-	●	●	7	190'
6	ЦИКЛ АНТИБАКТЕРИЯ (2): сильнозагрязненное белое и цветное деликатное белье.	40°	1200	●	-	●	●	7	145'
7	НОЧНОЙ ЦИКЛ: слабозагрязненное деликатное цветное белье.	40°	800	-	-	●	●	4	290'
8	ДЕТСКОЕ БЕЛЬЕ: сильнозагрязненное деликатное цветное белье.	40°	800	●	-	●	●	3	120'
9	ШЕЛК/ЗАНАВЕСКИ: Для изделий из шелка, вискозы и нижнего белья.	30°	0	-	-	●	●	1	55'
10	ШЕРСТЬ: Для шерсти, кашемира и т.д.	40°	800	●	-	●	●	1,5	70'
Дополнительные программы									
A	Полоскание	-	1200	●	-	-	●	7	36'
B	Отжим	-	1200	●	-	-	-	7	16'
C	Слив	-	0	-	-	-	-	7	2'
Программы сушки									
11	Сушка ХЛОПКА	-	-	●	-	-	-	5	-
12	Сушка СИНТЕТИКА	-	-	●	-	-	-	3	-
13	Сушка ШЕРСТЬ	-	-	●	-	-	-	1,5	-

Продолжительность цикла, показанная на дисплее или указанная в инструкциях является расчетом, сделанным на основании стандартных условий. Фактическая продолжительность может варьировать в зависимости от многочисленных факторов таких как температура и давление воды на подаче, температура помещения, количество моющего средства, количество и тип загруженного белья, балансировка белья, выбранные дополнительные функции.

Для всех институтов тестирования:

- 1) Программы управления в соответствии с Директивой EN 50229: задайте программу 6 с температурой 60°C.
- 2) Длинная программа для х/б белья: задайте программу 6 с температурой 40°C.

Специальные программы

ЦИКЛ АНТИБАКТЕРИЯ (программа 6). Дезинфицирующая программа с высокой температурой, предусматривающая использование отбеливателя при температуре выше 60°C. Для отбеливания залейте отбеливатель, моющее средство и добавки в соответствующие ячейки (см параграф «Распределитель моющих средств»).

НОЧНОЙ ЦИКЛ (программа 7). Это бесшумный цикл, который можно включить ночью, экономя электроэнергию. Данная программа рассчитана на стирку синтетических и х/б вещей. По завершении цикла машина останавливается с водой в барабане; для слива и отжима нажмите кнопку START/PAUSE, в противном случае по прошествии 8 часов машина автоматически произведет слив воды и отжим.

ДЕТСКОЕ БЕЛЬЕ (программа 8). Программа удаляет типичные загрязнения детской одежды, гарантируя удаление моющего средства из ткани во избежание аллергии чувствительной детской кожи. Данный цикл рассчитан на сокращение количества бактерий благодаря использованию большего объема воды и оптимизируя воздействие специальных дезинфицирующих добавок старильного вещества.

По завершении стирки машина продолжит медленно вращать барабан во избежание сминания белья. Для остановки цикла нажмите кнопку START/PAUSE.

МИКС 30' (программа 4) предназначена для быстрой стирки слабозагрязненного белья цикл длится всего 30 минут, что позволяет сэкономить время и электроэнергию. По этой программе (4, 30°C) можно стирать вместе белье из разных тканей (за исключением шерсти и шелка) с максимальной загрузкой 3 кг.

МИКС 15' (программа 5) предназначена для быстрой стирки слабозагрязненного белья цикл длится всего 15 минут, что позволяет сэкономить время и электроэнергию. По этой программе (5, 30°C) можно стирать вместе белье из разных тканей (за исключением шерсти и шелка) с максимальной загрузкой 1,5 кг.

Персонализированные настройки

Регулировка температуры

Настройка температуры стирки производится при помощи регулятора ТЕМПЕРАТУРЫ (см. *Таблицу программ*). Значение температуры может быть уменьшено вплоть до стирки в холодной воде (☸).

Машина автоматически не допускает выбор температуры, превышающий максимальное значение, предусмотренное для каждой программы.

Программирование сушки

При помощи регулятора СУШКА можно выбрать нужный режим сушки. Машина предусматривает два режима:

А - Временной режим: от **40** до **180** минут.

В - Режим сушки в зависимости от степени влажности белья:

Сушка под утюг ☞: слегка влажное белье для более легкой глажки.

Стандартная ☞: сухое белье, которое можно убрать в шкаф.

Extra сушка ☞: совершенно сухое белье – рекомендуется для махровых полотенец и халатов.

В случае, если вес белья, предназначенного для стирки и сушки, превышает максимальную допустимую загрузку (смотрите таблицу программ), выполните цикл стирки, и по его завершении, разделите белье на части и производите его сушку частями.

Следуйте инструкциям, описывающим функцию «Только сушка».

Повторите те же операции для сушки оставшегося белья.

ПРИМЕЧАНИЕ: По завершении сушки производится цикл охлаждения, даже если регулятор СУШКИ установлен в положение ☼.

Только сушка

Поверните регулятор ПРОГРАММА в одно из положений сушки (**11-12-13**) в зависимости от типа белья, затем выберите нужный вам режим сушки при помощи регулятора СУШКА.

Дополнительные функции

Различные функции стирки машины позволяют достичь желаемой чистоты и белизны вашего белья.

Порядок выбора функций:

1. нажмите кнопку нужной вам функции;
2. включение соответствующего индикатора означает, что функция включена.

Примечание: Частое мигание индикатора означает, что данная функция не может быть выбрана для заданной программы.

☹ Таймер отсрочки

Задерживает запуск цикла вплоть до 9 часов.

Нажмите кнопку несколько раз вплоть до включения индикатора, соответствующего нужному значению задержки.

При пятом нажатии кнопки функция отключается.

ПРИМЕЧАНИЕ: После нажатия кнопки START/PAUSE, можно изменить значение задержки только в сторону уменьшения.

! Эта функция совместима с любой программой.

☞ Дополнительное Полоскание

При выборе этой функции повышается эффективность ополаскивания, обеспечивая максимальное удаление мощного вещества. Эта функция особенно удобна для людей с кожей, чувствительной к стиральным веществам.

! Эта функция несовместима с программами 4, 5, 11, 12, 13, В, С.

☞ Суперстирка

Обеспечивает оптимальную стирку благодаря использованию большего объема воды в начале цикла и большей продолжительности цикла.

! Эта функция несовместима с программами 4, 5, 6, 9, 10, 11, 12, 13, А, В, С.

1200-600

При помощи этой кнопки сокращается скорость отжима.

! Эта функция несовместима с программами 9, С, 11, 12, 13.

Таблица продолжительности сушки (примерные значения)

Тип ткани	Загрузка	Макс. загрузка (кг)	Extra сушка	Стандартная	Сушка под утюг
Хлопок	Белье разного размера, Махровые полотенца	5	180	170	160
Синтетика	Простыни, Рубашки, Пижамы, носки и т.д.	3	180	170	160
Шерсть	Свитера, полувверы	1,5	150	140	130

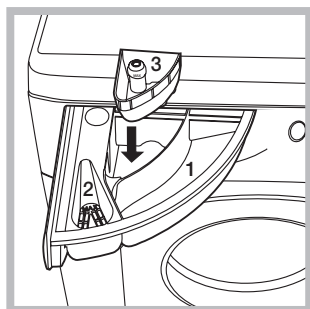
Моющие средства и типы белья

CIS

Распределитель моющих средств

Хороший результат стирки зависит также от правильной дозировки стирального вещества: избыток стирального вещества не гарантирует более эффективную стирку, напротив, способствует образованию налетов внутри стиральной машины и загрязнению окружающей среды.

! Не используйте моющие средства для ручной стирки, так как они образуют слишком много пены.



Выньте распределитель и поместите в него моющее средство или добавку в следующем порядке.

отделение 1: Моющее средство для стирки (порошок или жидкое)

Моющее средство для стирки заливается непосредственно перед запуском машины.

отделение 2: Добавки (ополаскиватель и т.д.)

Не наливайте ополаскиватель выше решетки отделения.

дополнительное отделение 3: Отбеливатель

Отбеливание

Отбеливание производится только с программами **1, 2, 6**.

Поместите отбеливатель в дополнительный отделение **3**, моющее средство и ополаскиватель в соответствующие отделения, затем выберите одну из вышеуказанных программ.

Рекомендуется только для очень грязного х/б белья.

Подготовка белья

- Разделите белье по следующим признакам:
 - тип ткани / обозначения на этикетке.
 - цвет: отделите цветное белье от белого.
- Выньте из карманов все предметы и проверьте пуговицы.
- Не превышайте значения, указанные в «Таблице программ», указывающие вес сухого белья.

Сколько весит белье?

- 1 простыня 400-500 гр.
- 1 наволочка 150-200 гр.
- 1 скатерть 400-500 гр.
- 1 халат 900-1200 гр.
- 1 полотенце 150-250 гр.

Изделия, требующие деликатной стирки

Шелк: используйте специальную программу **9** для стирки всех шелковых вещей. Рекомендуется использовать специальное стиральное вещество для деликатных тканей.

Занавески: сверните и положите в наволочку или в сетчатый мешочек. Используйте программу **9**.

Шерсть: Цикл стирки «Шерсть» данной стиральной машины Hotpoint-Ariston прошел тестирование и был подтвержден Компанией Woolmark Company для стирки шерстяных изделий, классифицированных как «для ручной стирки» с тем, чтобы стирка выполнялась в соответствии с инструкциями на этикетке вещи и инструкциями, прилагаемыми изготовителем бытового электроприбора. Hotpoint-Ariston – это первая марка стиральных машин, получившая от Woolmark Company сертификацию Woolmark Apparel Care - Platinum за качество стирки и за экономный расход воды и электроэнергии. (M1126)



Система балансировки белья

Перед каждым отжимом во избежание чрезмерных вибраций и для равномерного распределения белья в барабане машина производит вращения со скоростью, слегка превышающей скорость стирки. Если после нескольких попыток белье не будет правильно сбалансировано, машина произведет отжим на меньшей скорости по сравнению с предусмотренной.

Легкая глажка

Данная функция прерывает программу стирки, оставляя белье замоченным в воде перед сливом. Функция включается только с программой **9** (Шелк/Занавески) и служит для меньшего сминания белья. Для завершения цикла нажмите кнопку START/PAUSE.

Предосторожности и рекомендации

! Стиральная машина спроектирована и изготовлена в соответствии с международными нормативами по безопасности. Необходимо внимательно прочитать настоящие предупреждения, составленные в целях вашей безопасности.

Общие требования к безопасности

- Данное изделие предназначено исключительно для домашнего использования.
- Не разрешайте пользоваться машиной лицам (включая детей) с ограниченными физическими, сенсорными, умственными способностями и не обладающих достаточными знаниями и опытом, если только они не пользуются машиной под наблюдением и после инструктажа со стороны лиц, ответственных за их безопасность. Не разрешайте детям играть с машиной.
- Не сушите в машине грязные вещи.
- Вещи, испачканные маслом для жарки, ацетоном, спиртом, бензином, керосином, пятновыводителями, трементином, воском и веществами для его удаления, необходимо выстирать в горячей воде с большим количеством стирального вещества перед их сушкой в сушильной машине.
- Вещи из вспененного материала (латекс), шапочки для душа, водонепроницаемая ткань, изделия, одна сторона которых – резиновая, одежда или подушки, содержащие латекс, сушить в сушильной машине нельзя.
- Ополаскиватель или подобные вещества следует использовать в соответствии с инструкциями производителя.
- Завершающая часть цикла сушильной машины производится без нагрева (цикл охлаждения) во избежание повреждения вещей.

ВНИМАНИЕ: Никогда не останавливайте сушильную машину до окончания программы сушки. В этом случае сразу же выгрузите все вещи и развесьте их для быстрого охлаждения.

- Не прикасайтесь к изделию влажными руками, босиком или во влажной одежде.
- Не тяните за сетевой кабель для отсоединения изделия из электро розетки, возьмитесь за вилку рукой.
- Не открывайте распределитель порошка в процессе стирки.
- Избегайте контактов со сливаемой водой, так как она может быть очень горячей.
- Категорически запрещается открывать люк силой: это может привести к повреждению защитного механизма, предохраняющего от случайного открытия машины.
- В случае неисправности категорически запрещается открывать внутренние механизмы изделия с целью их самостоятельного ремонта.
- Избегайте контактов детей с работающей стиральной машиной.
- В процессе стирки люк стиральной машины может нагреться.
- При необходимости переместить стиральную машину следует выполнять эту операцию вдвоем или втроем с предельной осторожностью. Никогда не перемещайте машину в одиночку, так как машина очень тяжелая.

- Перед загрузкой в стиральную машину белья проверьте, чтобы барабан был пуст.
- В процессе сушки люк стиральной машины может нагреться.
- Не подвергайте автоматической сушке белье, выстиранное с применением возгораемых растворителей (например, триелина).
- Не сушите в автоматической сушке паралоновые изделия или подобные эластомеры.
- В процессе сушки проверьте, чтобы водопроводный кран был открыт.

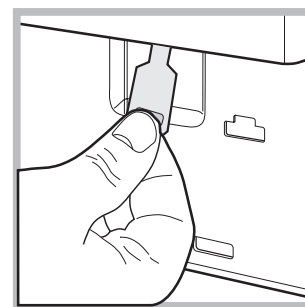
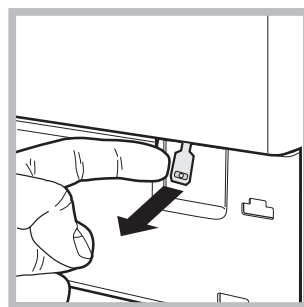
Утилизация

- Уничтожение упаковочных материалов: соблюдайте местные нормативы с целью повторного использования упаковочных материалов.
 - Согласно Европейской Директиве 2002/96/CE касательно утилизации электронных и электрических электроприборов электроприборы не должны выбрасываться вместе с обычным городским мусором. Выведенные из строя приборы должны собираться отдельно для оптимизации их утилизации и рекуперации составляющих их материалов, а также для безопасности окружающей среды и здоровья. Символ зачеркнутая мусорная корзина, имеющийся на всех приборах, служит напоминанием об их отдельной утилизации.
- За более подробной информацией о правильной утилизации бытовых электроприборов пользователи могут обратиться в специальную государственную организацию или в магазин.

Аварийное открытие люка

Если по причине отключения электроэнергии невозможно открыть люк машины, чтобы выгрузить чистое белье, действуйте следующим образом:

1. выньте штепсельную вилку машины из электро розетки.
2. проверьте, чтобы уровень воды в машине был ниже отверстия люка. В противном случае слейте излишек воды через сливную трубу в ведро, как показано на *схеме*.
3. потяните наружу язычок, показанный на *схеме*, вплоть до освобождения пластикового блокировочного винта. Затем потяните его вниз и одновременно откройте люка.



Техническое обслуживание и уход

CIS

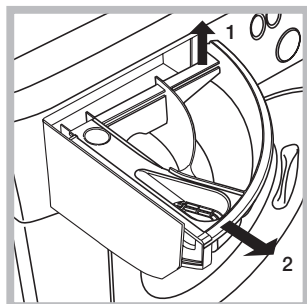
Отключение воды и электрического тока

- Перекрывайте водопроводный кран после каждой стирки. Таким образом сокращается износ водопроводной системы машины и сокращается риск утечек.
- Выньте штепсельную вилку из электро розетки в процессе чистки и технического обслуживания стиральной машины.

Уход за стиральной машиной

Для чистки наружных и резиновых частей стиральной машины используйте тряпку, смоченную теплой водой с мылом. Не используйте растворители или абразивные чистящие средства.

Уход за распределителем моющих средств



Выньте распределитель, приподняв ее и потянув наружу (см. схему). Промойте распределитель теплой водой. Эта операция должна выполняться регулярно.

Уход за люком и барабаном

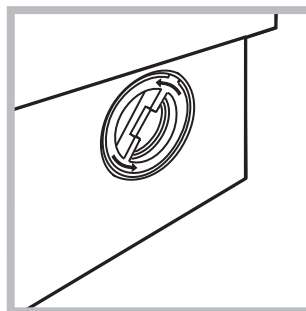
- После использования стиральной машины всегда следует оставлять люк полуоткрытым во избежание образования неприятных запахов в барабане.

Уход за насосом

Стиральная машина оснащена самоочищающимся насосом, не нуждающимся в техническом обслуживании. Тем не менее мелкие предметы (монеты, пуговицы) могут упасть за кожух, предохраняющий насос, расположенный в его нижней части.

! Проверьте, чтобы цикл стирки завершился, и выньте штепсельную вилку из сетевой розетки.

Для доступа к кожуху:



1. отвинтите крышку, повернув ее против часовой стрелки (см. схему): небольшая утечка воды является нормальным явлением;

2. тщательно прочистите внутри кожуха;
3. завинтите крышку на место;

Проверка водопроводного шланга

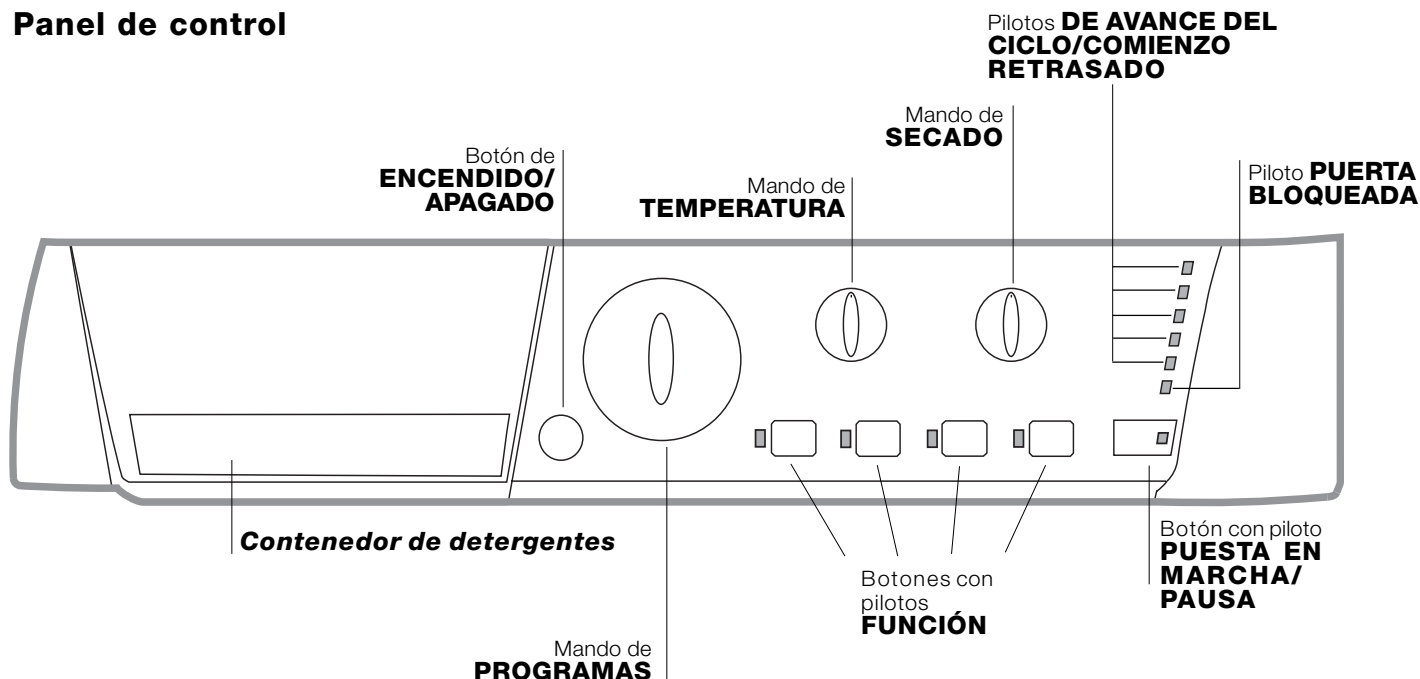
Проверяйте шланг подачи воды не реже одного раза в год. При обнаружении трещин или разрывов шланга замените его: в процессе стирки сильное давление в водопроводе может привести к внезапному отсоединению шланга.

! Никогда не пользуйтесь б/у шлангами.

Descripción de la lavasecadora y comienzo de un programa

ES

Panel de control



Contenedor de detergentes: para cargar detergentes y aditivos (ver "Detergentes y ropa").

Botón de **ENCENDIDO/APAGADO:** para encender y apagar la lavasecadora.

Mando de **PROGRAMAS:** para elegir los programas. Durante el funcionamiento del programa el mando no se mueve.

Botones con pilotos de **FUNCIÓN:** para seleccionar las funciones disponibles. El piloto correspondiente a la función seleccionada permanecerá encendido.

Mando de **SECADO:** para seleccionar el secado deseado (ver "Personalizaciones").

Mando de **TEMPERATURA:** para seleccionar la temperatura o el lavado en frío (ver "Personalizaciones").

Pilotos **DE AVANCE DEL CICLO/COMIENZO RETRASADO:** para seguir el estado de avance del programa de lavado.

El piloto encendido indica la fase en curso. Si se seleccionó la función "Comienzo retrasado", indicarán el tiempo que falta para la puesta en marcha del programa (ver la página correspondiente).

Piloto **PUERTA BLOQUEADA:** para saber si la puerta se puede abrir (ver la página correspondiente).

Botón con piloto **PUESTA EN MARCHA/PAUSA:** se utiliza para poner en marcha los programas o interrumpirlos momentáneamente.

Nota: Presione este botón para poner en pausa el lavado en curso, el piloto correspondiente centelleará con color anaranjado mientras que el de la fase en curso permanecerá encendido en forma fija. Si el piloto **PUERTA BLOQUEADA** está apagado, se podrá abrir la puerta.

Para que el lavado se reanude a partir del momento en el cual fue interrumpido, presione nuevamente este botón.

Pilotos

Los pilotos suministran información importante. He aquí lo que nos dicen:

Comienzo retrasado

Si se ha activado la función "Comienzo retrasado" (ver "Personalizaciones"), después de haber puesto en marcha el programa, comenzará a centellear el piloto correspondiente al retraso seleccionado:



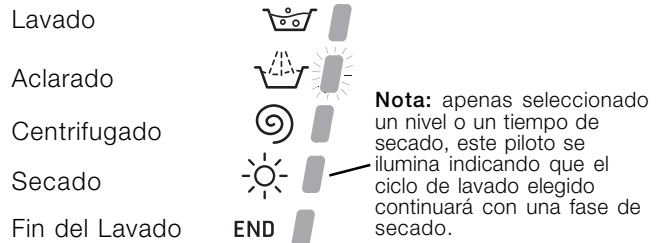
Con el transcurrir del tiempo se visualizará el retraso residual con el centelleo de la luz testigo correspondiente:



Una vez transcurrido el tiempo fijado, la luz testigo centelleante se apagará y comenzará el programa seleccionado.

Pilotos fase en curso

Una vez seleccionado y puesto en marcha el ciclo de lavado deseado, las luces testigo se encenderán progresivamente para indicar su estado de avance:



Nota: durante la fase de "Descarga" se iluminará el piloto correspondiente a la fase de "Centrifugado".

Botones de función y pilotos correspondientes

Seleccionando una función, el piloto correspondiente se iluminará. Si la función seleccionada no es compatible con el programa elegido, el piloto correspondiente centelleará y la función no se activará. Cuando se seleccione una función incompatible con otra seleccionada precedentemente, permanecerá activa sólo la última elección realizada.

🚫 Piloto puerta bloqueada:

El piloto encendido indica que la puerta está bloqueada para impedir aperturas accidentales; antes de abrir la puerta es necesario esperar que dicho piloto se apague, de este modo se evitarán daños.

Nota: si la función "Comienzo retrasado" está activada, la puerta no se puede abrir, para abrirla se debe poner en pausa la máquina presionando el botón PUESTA EN MARCHA/PAUSA.

! El centelleo rápido del piloto PUESTA EN MARCHA/PAUSA (anaranjado) simultáneamente con el de las funciones indica una anomalía (ver "Anomalías y soluciones").

Poner en marcha un programa

1. Encienda la lavasecadora presionando el botón ENCENDIDO/APAGADO. Todos los pilotos se encenderán durante algunos segundos, luego se apagarán y se deberá pulsar el piloto PUESTA EN MARCHA/PAUSA.
2. Cargue la ropa y cierre la puerta.
3. Seleccione el programa deseado con el mando de PROGRAMAS.
4. Fije la temperatura de lavado (ver "Personalizaciones").
5. Seleccione el secado, si es necesario (ver "Personalizaciones").
6. Vierta detergente y aditivos (ver "Detergentes y ropa").
7. Seleccione las funciones deseadas.
8. Ponga en marcha el programa presionando el botón PUESTA EN MARCHA/PAUSA y el piloto correspondiente permanecerá encendido, fijo y de color verde. Para anular el ciclo seleccionado ponga en pausa la máquina presionando el botón PUESTA EN MARCHA/PAUSA y elija un nuevo ciclo.
9. Al final del programa se iluminará el piloto END. El piloto PUERTA BLOQUEADA se apagará indicando que la puerta se puede abrir. Extraiga la ropa y deje la puerta semicerrada para permitir que el cesto se seque. Apague la lavasecadora presionando el botón ENCENDIDO/APAGADO.

Programas

Tabla de programas

Programas	Descripción del Programa	Temp. max. (°C)	Velocidad máx. (r.p.m.)	Secado	Detergentes			Carga máx. (Kg.)	Duración del ciclo
					Blanqueador	Lavado	Suavizante		
Programas Especiales									
6	Ciclo Desinfectante: ropa blanca muy sucia.	90°	1200	●	●	●	●	7	170
6	Ciclo Desinfectante (1): blancos y colores resistentes muy sucios.	60°	1200	●	-	●	●	7	153
7	Ciclo Buenas Noches: colores delicados poco sucios.	40°	800	-	-	●	●	4	290
8	Baby Cycle: colores delicados muy sucios.	40°	800	●	-	●	●	2	118
9	Seda/Cortinas: para prendas de seda, viscosa, lencería.	30°	0	-	-	●	●	1	55
10	Lana: para lana, cachemira, etc.	40°	800	●	-	●	●	1,5	55
Programas para todos los días (Diario)									
1	Algodón: blancos y colores resistentes muy sucios.	60°	1200	●	●	●	●	7	122
1	Algodón (2): blancos y colores delicados muy sucios.	40°	1200	●	●	●	●	7	115
2	Algodón de color (3): blancos poco sucios y colores delicados.	40°	1200	●	●	●	●	7	85
3	Sintético resistente: colores resistentes muy sucios.	60°	800	●	-	●	●	3	85
3	Sintético delicado: colores resistentes poco sucios.	40°	800	●	-	●	●	3	70
4	Mix 30': para refrescar rápidamente prendas poco sucias (no se aconseja utilizarlo para lana, seda y prendas para lavar a mano).	30°	800	●	-	●	●	3	30
5	Mix 15': para refrescar rápidamente prendas poco sucias (no se aconseja utilizarlo para lana, seda y prendas para lavar a mano).	30°	800	●	-	●	●	1,5	15
Programas Parciales									
A	Aclarado Algodón	-	1200	●	-	-	●	7	36
B	Centrifugado Rápido	-	1200	●	-	-	-	7	16
C	Descarga	-	0	-	-	-	-	7	2
Programas se Secado									
11	Secado Algodón	-	-	●	-	-	-	5	-
12	Secado Sintéticos	-	-	●	-	-	-	3	-
13	Secado Lana	-	-	●	-	-	-	1,5	-

Los datos contenidos en la tabla tienen un valor indicativo.

Para todos los Test Institutes:

- 1) Programa de control según la norma EN 50229: seleccione el programa 6 con una temperatura de 60°C.
- 2) Programa algodón largo: seleccione el programa 1 con una temperatura de 40°C.
- 3) Programa algodón corto: seleccione el programa 2 con una temperatura de 40°C.

Programas particulares

Ciclo Desinfectante (programa 6). Un programa higienizante con elevadas temperaturas, prevé el uso del blanqueador con temperaturas mayores que 60°C. Para blanquear vierta el blanqueador, los detergentes y los aditivos en los compartimentos correspondientes (ver el párrafo "Contenedor de detergentes").

Ciclo Buenas noches (programa 7). Es un ciclo silencioso que puede trabajar de noche cuando la tarifa energética es menor. El programa ha sido estudiado para prendas sintéticas y de algodón. Al final del ciclo, la máquina se detiene con el agua en la cuba; para realizar el centrifugado y la descarga presione el botón PUESTA EN MARCHA/PAUSA, de lo contrario, después de 8 horas, la máquina los realizará automáticamente.

Baby Cycle (programa 8). Programa capaz de eliminar la suciedad característica de los niños pero garantizando la eliminación del detergente de las prendas para evitar problemas de alergia en la piel delicada de los niños. El ciclo ha sido estudiado para disminuir la carga bacteriana utilizando una mayor cantidad de agua y optimizando el efecto de aditivos específicos higienizantes agregados al detergente.

Al finalizar el lavado, la máquina realizará lentas rotaciones del cesto para evitar la formación de arrugas; para terminar el ciclo, presione el botón PUESTA EN MARCHA/PAUSA.

Mix 30' (programa 4) fue estudiado para lavar prendas ligeramente sucias y en poco tiempo: dura sólo 30 minutos y de esa manera permite ahorrar energía y tiempo. Seleccionando el programa (4 a 30°C) es posible lavar conjuntamente tejidos de distinto tipo (excluidas lana y seda), con una carga máxima de 3 kg.

Mix 15' (programa 5) fue estudiado para lavar prendas ligeramente sucias y en poco tiempo: dura sólo 15 minutos y de esa manera permite ahorrar energía y tiempo. Seleccionando el programa (5 a 30°C) es posible lavar conjuntamente tejidos de distinto tipo (excluidas lana y seda), con una carga máxima de 1,5 kg.

Seleccionar la temperatura

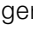
Girando el mando de la TEMPERATURA se selecciona la temperatura de lavado (ver la *Tabla de programas*). La temperatura se puede disminuir hasta el lavado en frío (❄).


La máquina impedirá automáticamente seleccionar una temperatura mayor que la máxima prevista para cada programa.


Seleccione el secado

Girando el mando de SECADO se selecciona el tipo de secado deseado. Se han previsto dos posibilidades:

A - En base al tiempo: de **40 a 180** minutos.

B - En base al nivel de humedad de las prendas secadas:
No Plancha : prendas ligeramente húmedas, fáciles de planchar.

Para Colgar : prendas secas listas para guardar.

Para Doblar : prendas muy secas, aconsejado para toallas y batas.

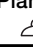
Si excepcionalmente la carga de ropa para lavar y secar es superior al máximo previsto (ver la *Tabla de tiempos de Secado*), realice el lavado, y una vez finalizado el programa, divida la carga y coloque una parte en el cesto.

A partir de ese momento, siga las instrucciones para efectuar "**Sólo secado**".

Repita las mismas operaciones para la carga restante.

Nota: Al final del secado existe un período de enfriamiento aún si el mando SECADO se lleva a la posición ❄.

Tabla de tiempos de Secado (Valores indicativos)

Tipo de tela	Tipo de carga	Carga máx. (kg)	Para Doblar 	Para Colgar 	No Plancha 
Algodón	Ropa de distintas dimensiones, toallas	5	180	170	160
Sintéticos	Sábanas, Camisas, Pijamas, calcetines, etc.	3	180	170	160
Lana	Camisetas, Jersey pesados, etc.	1,5	150	140	130

Sólo secado

Gire el mando PROGRAMAS hasta una de las posiciones de secado (**11-12-13**) según el tipo de tejido, luego seleccione la duración del ciclo de secado deseado con el mando SECADO.

Funciones

Las distintas funciones de lavado previstas por la lavasecadora permiten obtener la limpieza y el blanco deseados. Para activar las funciones:

1. presione el botón correspondiente a la función deseada;
2. el encendido del piloto correspondiente indica que la función está activa.

Nota: El centelleo rápido del piloto indica que la función correspondiente no se puede seleccionar para el programa elegido.

Comienzo retrasado

Retrasa la puesta en marcha de la máquina hasta 9 horas.

Presione varias veces el botón hasta hacer encender la luz testigo correspondiente al retraso deseado. La quinta vez que se presione el botón, la función se desactivará.

Nota: Una vez presionado el botón PUESTA EN MARCHA/PAUSA, se puede modificar el valor del retraso sólo disminuyéndolo.

! Se puede utilizar en todos los programas.

Aclarado extra

Al elegir esta función aumentará la eficacia del aclarado y se asegurará la máxima eliminación del detergente. Es útil para pieles particularmente sensibles.

! No se puede activar con los programas 4, 5, 11, 12, 13, B, C.

Super wash

Gracias al uso de una mayor cantidad de agua en la fase inicial del ciclo y al empleo de mayor tiempo, dicha función garantiza un lavado con óptimos resultados.

! No se puede activar con los programas 4, 5, 6, 9, 10, 11, 12, 13, A, B, C.

1200-600

Presionando este botón se disminuye la velocidad de centrifugado.

! No se puede activar con los programas 9, C, 11, 12, 13.

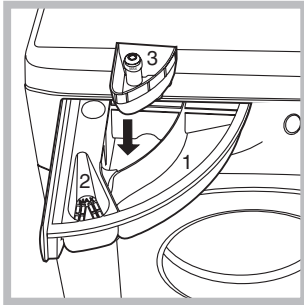
Detergentes y ropa

ES

Contenedor de detergentes

El buen resultado del lavado depende también de la correcta dosificación del detergente: si se excede la cantidad, no se lava de manera más eficaz, sino que se contribuye a encostrar las partes internas de la lavasecadora y a contaminar el medio ambiente.

! No use detergentes para el lavado a mano porque producen demasiada espuma.



Extraiga el contenedor de detergentes e introduzca el detergente o el aditivo de la siguiente manera:

cupeta 1: Detergente para lavado (en polvo o líquido)

El detergente líquido se debe verter sólo antes de la puesta en marcha.

cupeta 2: Aditivos (suavizante, etc.)

El suavizante no se debe volcar fuera de la rejilla.

cupeta adicional 3: Blanqueador

Ciclo de blanqueo

El blanqueo se puede realizar sólo con los programas **1, 2, 6**.

Vierta el blanqueador en la cubeta adicional **3**, el detergente y el suavizante en las correspondientes cubetas y luego seleccione uno de los programas indicados.

Es adecuado sólo para prendas de algodón muy sucias.

Preparar la ropa

- Subdivida la ropa según:
 - el tipo de tejido / el símbolo en la etiqueta.
 - los colores: separe las prendas de color y las blancas.
- Vacíe los bolsillos y controle los botones.
- No supere los valores indicados, referidos al peso de la ropa seca:
 - Tejidos resistentes: max 7 kg.
 - Tejidos sintéticos: max 3 kg.
 - Tejidos delicados: max 2 kg.
 - Lana: max 1,5 kg.

¿Cuánto pesa la ropa?

- 1 sábana 400/500 g
- 1 funda 150/200 g
- 1 mantel 400/500 g
- 1 albornoz 900/1200 g
- 1 toalla 150/250 g

Prendas especiales

Seda: utilice el programa correspondiente **9** para lavar todas las prendas de seda. Se aconseja el uso de un detergente específico para prendas delicadas.

Cortinas: se recomienda plegarlas e introducirlas en el saco suministrado. Utilice el programa **9**.

Lana: Hotpoint/Ariston es la única lavasecadora que ha obtenido el prestigioso reconocimiento Woolmark Platinum Care (M.0508) otorgado por The Woolmark Company que certifica el lavado en lavasecadora de todas las prendas de lana, incluidas aquellas que contienen la etiqueta "sólo lavado a mano" . En consecuencia, con el programa **10** se puede utilizar la lavasecadora con total tranquilidad para lavar todas sus prendas de lana (máx. 1,5 kg) garantizando la obtención de los mejores resultados.

Sistema de equilibrado de la carga

Antes de cada centrifugado, para evitar vibraciones excesivas y para distribuir la carga de modo uniforme, el cesto realiza rotaciones a una velocidad ligeramente superior a la del lavado. Si después de varios intentos, la carga todavía no está correctamente equilibrada, la máquina realiza el centrifugado a una velocidad inferior a la prevista. Cuando existe un excesivo desequilibrio, la lavasecadora realiza la distribución antes que el centrifugado. Para obtener una mejor distribución de la carga y su correcto equilibrado, se aconseja mezclar prendas grandes y pequeñas.

Antiarrugas

Esta función interrumpe el programa de lavado manteniendo la ropa en remojo en el agua antes de la descarga.

Se puede activar sólo en el programa **9** (Seda/Cortinas) y sirve para evitar la formación de arrugas. Para completar el ciclo presione el botón PUESTA EN MARCHA/PAUSA.

! La lavasecadora fue proyectada y fabricada en conformidad con las normas internacionales de seguridad. Estas advertencias se suministran por razones de seguridad y deben ser leídas atentamente.

Seguridad general

- Este aparato ha sido fabricado para un uso de tipo doméstico exclusivamente.
- La lavasecadora debe ser utilizada sólo por personas adultas y siguiendo las instrucciones contenidas en este manual.
- No toque la máquina con los pies desnudos ni con las manos o los pies mojados o húmedos.
- No desenchufe la máquina tirando el cable, sino tomando el enchufe.
- No abra el contenedor de detergentes mientras la máquina está en funcionamiento.
- No toque el agua de descarga porque puede alcanzar temperaturas elevadas.
- En ningún caso fuerce la puerta: podría dañarse el mecanismo de seguridad que la protege de aperturas accidentales.
- En caso de avería, no acceda nunca a los mecanismos internos para intentar una reparación.
- Controle siempre que los niños no se acerquen a la máquina cuando está en funcionamiento.
- Durante el lavado, la puerta tiende a calentarse.
- Si debe ser trasladada, deberán intervenir dos o más personas, procediendo con el máximo cuidado. La máquina no debe ser desplazada nunca por una sola persona ya que es muy pesada.
- Antes de introducir la ropa controle que el cesto esté vacío.
- Durante el secado la puerta tiende a calentarse.
- No seque ropa lavada con solventes inflamables (por ej. tricloroetileno).
- No seque gomaespuma o elastómeros análogos.
- Verifique que, durante las fases de secado, el grifo de agua esté abierto.

Eliminaciones

- Eliminación del material de embalaje: respete las normas locales, de ese modo, los embalajes podrán volver a ser utilizados.
- En base a la Norma europea 2002/96/CE de Residuos de aparatos Eléctricos y Electrónicos, los electrodomésticos viejos no pueden ser arrojados en los contenedores municipales habituales; tienen que ser recogidos selectivamente para optimizar la recuperación y reciclado de los componentes y materiales que los constituyen, y reducir el impacto en la salud humana y el medioambiente. El símbolo del cubo de basura tachado se marca sobre todos los productos para recordar al consumidor la

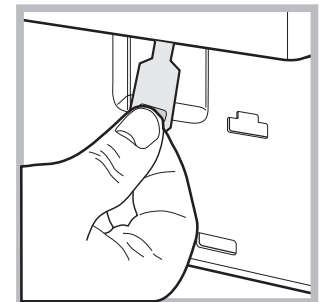
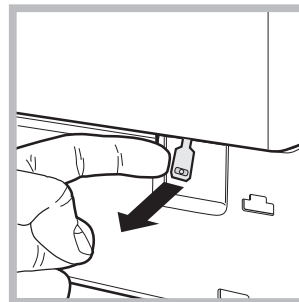
obligación de separarlos para la recogida selectiva. El consumidor debe contactar con la autoridad local o con el vendedor para informarse en relación a la correcta eliminación de su electrodoméstico viejo.

ES

Apertura manual de la puerta

Si desea sacar la ropa de la lavadora y no es posible abrir la puerta debido a un corte de energía eléctrica, proceda del siguiente modo:

1. desenchufe la máquina.
2. verifique que el nivel de agua en el interior de la máquina sea inferior al hueco de la puerta; si no es así, extraiga el agua en exceso utilizando el tubo de descarga y recogiéndola en un balde.
3. utilizando la lengüeta indicada en la figura, tire hacia fuera hasta liberar la varilla de plástico del retén; posteriormente tire hacia abajo y simultáneamente abra la puerta.



Mantenimiento y cuidados

ES

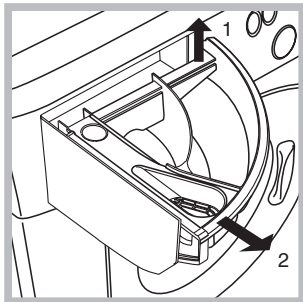
Interrumpir el agua y la corriente eléctrica

- Cierre el grifo de agua después de cada lavado. De este modo se limita el desgaste de la instalación hidráulica de la lavasecadora y se elimina el peligro de pérdidas.
- Desenchufe la máquina cuando la debe limpiar y durante los trabajos de mantenimiento.

Limpiar la lavasecadora

La parte externa y las partes de goma se pueden limpiar con un paño embebido en agua tibia y jabón. No use solventes ni productos abrasivos.

Limpiar el contenedor de detergentes



Extraiga el contenedor levantándolo y tirándolo hacia fuera (*ver la figura*). Lávelo debajo del agua corriente, esta limpieza se debe realizar frecuentemente.

Cuidar la puerta y el cesto

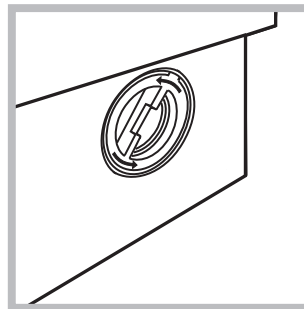
- Deje siempre semicerrada la puerta para evitar que se formen malos olores.

Limpiar la bomba

La lavasecadora posee una bomba autolimpiante que no necesita mantenimiento. Pero puede suceder que objetos pequeños (monedas, botones) caigan en la precámara que protege la bomba, situada en la parte inferior de la misma.

! Verifique que el ciclo de lavado haya terminado y desenchufe la máquina.

Para acceder a la precámara:



1. desenrosque la tapa girándola en sentido antihorario (*ver la figura*); es normal que se vuelque un poco de agua;

2. limpie con cuidado el interior;
3. vuelva a enroscar la tapa.

Controlar el tubo de alimentación de agua

Controle el tubo de alimentación al menos una vez al año. Si presenta grietas o rajaduras debe ser sustituido: durante los lavados, las fuertes presiones podrían provocar roturas imprevistas.

! No utilice nunca tubos ya usados.

Puede suceder que la lavasecadora no funcione. Antes de llamar al Servicio de Asistencia Técnica (ver "Asistencia"), controle que no se trate de un problema de fácil solución utilizando la siguiente lista.

Anomalías:

Posibles causas / Solución:

La lavasecadora no se enciende.

- El enchufe no está introducido en la toma de corriente, o no hace contacto.
- En la casa no hay corriente.

El ciclo de lavado no comienza.

- La puerta no está correctamente cerrada.
- El botón ENCENDIDO/APAGADO no ha sido presionado.
- El botón PUESTA EN MARCHA/PAUSA no ha sido presionado.
- El grifo de agua no está abierto.
- Se fijó un retraso de la hora de puesta en marcha (ver "Personalizaciones").

La lavasecadora no carga agua (centellea rápidamente el piloto de la primera fase de lavado).

- El tubo de alimentación de agua no está conectado al grifo.
- El tubo está plegado.
- El grifo de agua no está abierto.
- En la casa no hay agua.
- No hay suficiente presión.
- El botón PUESTA EN MARCHA/PAUSA no ha sido presionado.

La lavasecadora carga y descarga agua continuamente.

- El tubo de descarga no está instalado entre los 65 y 100 cm. del suelo (ver "Instalación").
- El extremo del tubo de descarga está sumergido en el agua (ver "Instalación").
- La descarga de pared no posee un respiradero.

Si después de estas verificaciones, el problema no se resuelve, cierre el grifo de agua, apague la lavasecadora y llame a la Asistencia. Si la vivienda se encuentra en uno de los últimos pisos de un edificio, es posible que se verifiquen fenómenos de sifonaje, por ello la lavasecadora carga y descarga agua de modo continuo. Para eliminar este inconveniente se encuentran disponibles en el comercio válvulas especiales que permiten evitar el sifonaje.

La lavasecadora no descarga o no centrifuga.

- El programa no prevé la descarga: con algunos programas es necesario ponerla en marcha manualmente.
- Se puede utilizar la función ANTIARRUGAS: para completar el programa, pulse el botón PUESTA EN MARCHA/PAUSA ("Personalizaciones").
- El tubo de descarga está plegado (ver "Instalación").
- El conducto de descarga está obstruido.

La lavasecadora vibra mucho durante la centrifugación.

- El cesto, en el momento de la instalación, no fue desbloqueado correctamente (ver "Instalación").
- La máquina no está instalada en un lugar plano (ver "Instalación").
- Existe muy poco espacio entre la máquina, los muebles y la pared (ver "Instalación").

La lavasecadora pierde agua.

- El tubo de alimentación de agua no está bien enroscado (ver "Instalación").
- El contenedor de detergentes está obstruido (para limpiarlo ver "Mantenimiento y cuidados").
- El tubo de descarga no está bien fijado (ver "Instalación").

El piloto PUESTA EN MARCHA/PAUSA (anaranjado) y los pilotos de las funciones centellean rápidamente.

- Apague la máquina y desenchúfela, espere aproximadamente 1 minuto y luego vuelva a encenderla.
- Si la anomalía persiste, llame al Servicio de Asistencia Técnica.

Se forma demasiada espuma.

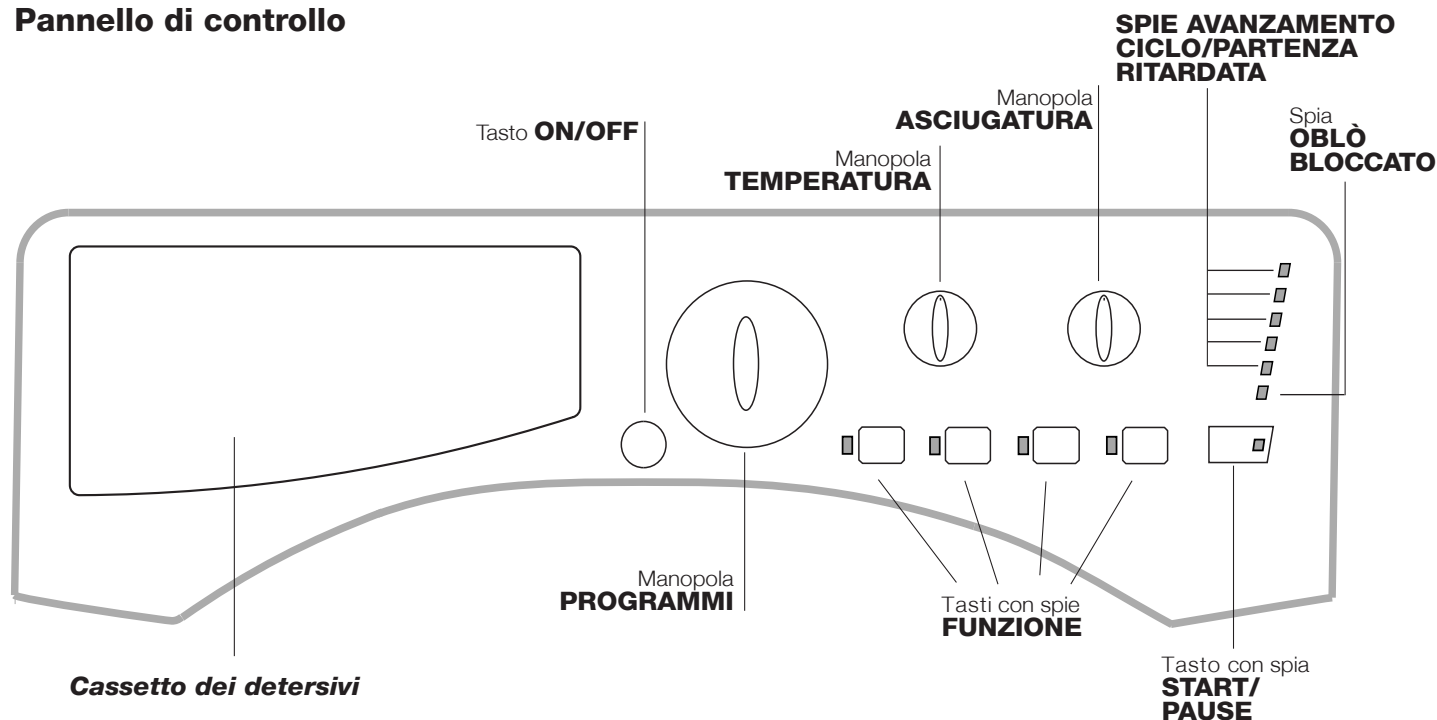
- El detergente no es específico para la lavasecadora (debe contener algunas de las frases "para lavasecadora", "a mano o en lavasecadora" o similares).
- La dosificación fue excesiva.

La Lavasecadora no seca.

- El enchufe no está introducido en la toma de corriente, o no hace contacto.
- En la casa no hay corriente.
- La puerta no está bien cerrada.
- Se fijó un retraso de la hora de puesta en marcha (ver "Personalizaciones").
- El botón de SECADO está en la posición ☞.

Descrizione della lavasciuga e avviare un programma

Pannello di controllo



Cassetto dei detersivi: per caricare detersivi e additivi (vedi "Detersivi e biancheria").

Tasto **ON/OFF**: per accendere e spegnere la lavasciuga.

Manopola **PROGRAMMI**: per impostare i programmi. Durante il programma la manopola resterà ferma.

Tasti **FUNZIONE**: per selezionare le funzioni disponibili. La spia relativa alla funzione selezionata rimarrà accesa.

Manopola **ASCIUGATURA**: per impostare l'asciugatura desiderata (vedi "Personalizzazioni").

Manopola **TEMPERATURA**: per impostare la temperatura o il lavaggio a freddo (vedi "Personalizzazioni").

SPIE AVANZAMENTO CICLO/PARTENZA RITARDATA: per seguire lo stato di avanzamento del programma di lavaggio. La spia accesa indica la fase in corso. Se è stata impostata la funzione "Partenza Ritardata", indicheranno il tempo mancante all'avvio del programma (vedi pagina a fianco).

Spia **OBLÒ BLOCCATO**: per capire se l'oblò è apribile (vedi pagina a fianco).

Tasto **START/PAUSE**: per avviare i programmi o interromperli momentaneamente.

N.B.: per mettere in pausa il lavaggio in corso, premere questo tasto, la spia relativa lampeggerà con colore arancione mentre quella della fase in corso sarà accesa fissa. Se la spia OBLÒ BLOCCATO \rightarrow sarà spenta, si potrà aprire l'oblò.

Per far ripartire il lavaggio dal punto in cui è stato interrotto, premere nuovamente questo tasto.

Modalità di stand by

Questa lavatrice, in conformità alle nuove normative legate al risparmio energetico, è dotata di un sistema di autospegnimento (stand by) che entra in funzione dopo circa 30 minuti nel caso di non utilizzo. Premere brevemente il tasto ON/OFF e attendere che la macchina si riattivi.

Consumo in off-mode: 0,5 W

Consumo in Left-on: 0,5 W

Spie

Le spie forniscono informazioni importanti. Ecco che cosa dicono:

Partenza ritardata

Se è stata attivata la funzione "Partenza ritardata" (vedi "Personalizzazioni"), dopo avere avviato il programma, inizierà a lampeggiare la spia relativa al ritardo selezionato:



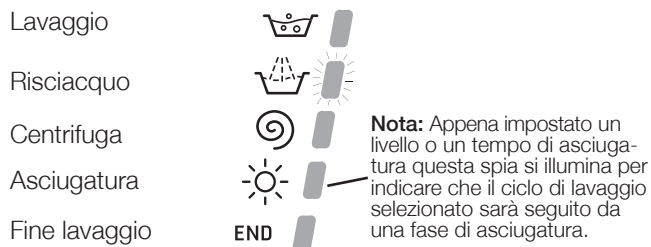
Col trascorrere del tempo verrà visualizzato il ritardo residuo con il lampeggio della spia relativa:



Trascorso il ritardo selezionato la spia lampeggiante si spengnerà e avrà inizio il programma impostato.

Spie fase in corso

Una volta selezionato e avviato il ciclo di lavaggio desiderato, le spie si accenderanno progressivamente per indicarne lo stato di avanzamento:



Nota:

durante la fase di Scarico si illuminerà la spia relativa alla fase Centrifuga.

Tasti funzione e relative spie

Selezionando una funzione la spia relativa si illuminerà. Se la funzione selezionata non è compatibile con il programma impostato la spia relativa lampeggerà e la funzione non verrà attivata.

Nel caso venga impostata una funzione incompatibile con un'altra precedentemente selezionata rimarrà attiva solo l'ultima scelta.

Spia oblò bloccato:

La spia accesa indica che l'oblò è bloccato per impedire aperture accidentali; per evitare danni è necessario attendere che la spia si spenga prima di aprire l'oblò.

N.B.: se è attiva la funzione "Partenza Ritardata" l'oblò non si può aprire, per aprirlo mettere la macchina in pausa premendo il tasto START/PAUSE.

! Il lampeggio veloce della spia START/PAUSE (arancione) contemporaneo a quello delle funzioni segnala un'anomalia (vedi "Anomalie e rimedi").

Avviare un programma

1. Accendere la lavabiancheria premendo il tasto ON/OFF. Tutte le spie si accenderanno per qualche secondo, poi rimarranno accese le spie relative alle impostazioni del programma selezionato e pulserà la spia START/PAUSE.
2. Caricare la biancheria e chiudere l'oblò.
3. Impostare con la manopola PROGRAMMI il programma desiderato.
4. Impostare la temperatura di lavaggio (vedi "Personalizzazioni").
5. Impostare l'asciugatura se necessario (vedi "Personalizzazioni").
6. Versare detersivo e additivi (vedi "Detersivi e biancheria").
7. Selezionare le funzioni desiderate.
8. Avviare il programma premendo il tasto START/PAUSE e la spia relativa rimarrà accesa fissa di colore verde. Per annullare il ciclo impostato mettere la macchina in pausa premendo il tasto START/PAUSE e scegliere un nuovo ciclo.
9. Al termine del programma si illuminerà la spia END. La spia OBLÒ BLOCCATO si spengnerà indicando che l'oblò è apribile. Estrarre la biancheria e lasciare l'oblò socchiuso per far asciugare il cestello. Spegnerla la lavasciuga premendo il tasto ON/OFF.

Programmi

Tabella dei programmi

Programmi	Descrizione del Programma	Temp. max. (°C)	Velocità max. (giri al minuto)	Asciugatura	Detersivi			Carico max. (Kg)	Durata ciclo
					Candeggina	Lavaggio	Ammorbidente		
Programmi Giornalieri									
1	Cotone: Bianchi e colorati resistenti molto sporchi.	60°	1200	●	●	●	●	7	135'
2	Cotone Colorati: Bianchi poco sporchi e colori delicati.	40°	1200	●	●	●	●	7	90'
3	Sintetici: Colori resistenti molto sporchi.	60°	800	●	-	●	●	3	115'
4	Mix 30': Per rinfrescare rapidamente capi poco sporchi (non indicato per lana, seta e capi da lavare a mano).	30°	800	●	-	●	●	3	30'
5	Mix 15': Per rinfrescare rapidamente capi poco sporchi (non indicato per lana, seta e capi da lavare a mano).	30°	800	●	-	●	●	1,5	15'
Programmi Speciali									
6	Sanitary: Bianchi estremamente sporchi.	90°	1200	●	●	●	●	7	190'
6	Sanitary (1): Bianchi e colorati resistenti molto sporchi.	60°	1200	●	-	●	●	7	190'
6	Sanitary (2): Bianchi e colorati resistenti poco sporchi.	40°	1200	●	-	●	●	7	145'
7	Buonanotte: Colori delicati poco sporchi.	40°	800	-	-	●	●	4	290'
8	Ciclo Baby: Colori delicati molto sporchi.	40°	800	●	-	●	●	3	120'
9	Seta/Tende: Per capi in seta, viscosa, lingerie.	30°	0	-	-	●	●	1	55'
10	Lana: Per lana, cachemire, ecc.	40°	800	●	-	●	●	1,5	70'
Programmi Parziali									
A	Risciacquo	-	1200	●	-	-	●	7	36'
B	Centrifuga	-	1200	●	-	-	-	7	16'
C	Scarico	-	0	-	-	-	-	7	2'
Programmi Asciugatura									
11	Asciugatura Cotone	-	-	●	-	-	-	5	-
12	Asciugatura Sintetico	-	-	●	-	-	-	3	-
13	Asciugatura Lana	-	-	●	-	-	-	1,5	-

La durata del ciclo indicata sul display o sul libretto è una stima calcolata in base a condizioni standard. Il tempo effettivo può variare in base a numerosi fattori quali temperatura e pressione dell'acqua in ingresso, temperatura ambiente, quantità di detersivo, quantità e tipo di carico, bilanciamento del carico, opzioni aggiuntive selezionate.

Per tutti Test Institutes:

- 1) Programma di controllo secondo la norma EN 50229: impostare il programma 6 con una temperatura di 60°C.
- 2) Programma cotone lungo: impostare il programma 6 con una temperatura di 40°C.

Programmi particolari

Sanitary (programma 6). Un programma igienizzante ad alte temperature che prevede l'uso della candeggina con temperature superiori a 60°C. Per candeggiare versare la candeggina i detersivi e gli additivi nei relativi scomparti (vedi paragrafo "Cassetto dei detersivi").

Buonanotte (programma 7). E' un ciclo silenzioso che può lavorare di notte quando la tariffa energetica è ridotta. Il programma è studiato per capi sintetici e di cotone. Alla fine del ciclo la macchina si ferma con l'acqua in vasca; per effettuare la centrifuga e lo scarico premere il tasto START/PAUSE, altrimenti dopo 8 ore la macchina effettuerà automaticamente la centrifuga e lo scarico dell'acqua.

Ciclo Baby (programma 8). Programma in grado di asportare lo sporco tipico dei bambini garantendo la rimozione del detersivo dai panni onde evitare allergie alla pelle delicata dei bambini. Il ciclo è stato studiato per ridurre la carica batterica utilizzando una maggior quantità di acqua e ottimizzando l'effetto di additivi specifici igienizzanti aggiunti al detersivo. Al termine del lavaggio la macchina effettuerà delle lente rotazioni del cestello per evitare la creazione di pieghe; per terminare il ciclo premere il tasto START/PAUSE.

Mix 30' (programma 4) è studiato per lavare capi leggermente sporchi in poco tempo: dura solo 30 minuti e fa così risparmiare energia e tempo. Impostando il programma (4 a 30°C) è possibile lavare insieme tessuti di diversa natura (esclusi lana e seta) con un carico massimo di 3 kg.

Mix 15' (programma 5) è studiato per lavare capi leggermente sporchi in poco tempo: dura solo 15 minuti e fa così risparmiare energia e tempo. Impostando il programma (5 a 30°C) è possibile lavare insieme tessuti di diversa natura (esclusi lana e seta) con un carico massimo di 1,5 kg.

Personalizzazioni

Impostare la temperatura

Ruotando la manopola TEMPERATURA si imposta la temperatura di lavaggio (vedi *Tabella programmi*).

La temperatura si può ridurre sino al lavaggio a freddo (❄).

La macchina impedirà automaticamente di impostare una temperatura maggiore a quella massima prevista per ogni programma.

Impostare l'asciugatura

Ruotando la manopola ASCIUGATURA si imposta il tipo di asciugatura desiderato. Sono previste due possibilità:

A - In base al tempo: da **40** a **180** minuti.

B - In base al livello di umidità dei capi asciugati:

Stiro (☀): capi leggermente umidi, facili da stirare.

Stampella (👔): capi asciutti da riporre.

Armadio (👔): capi molto asciutti, consigliato per spugne e accappatoi.

Se eccezionalmente il carico di biancheria da lavare ed asciugare è superiore al massimo previsto (vedi *tabella accanto*), effettuare il lavaggio, e a programma ultimato, dividere il carico e rimetterne una parte nel cestello. Seguire a questo punto le istruzioni per effettuare **"Solo l'asciugatura"**. Ripeti le stesse operazioni per il carico rimanente.

N.B.: Alla fine dell'asciugatura viene effettuato un periodo di raffreddamento anche se la manopola ASCIUGATURA viene portata nella posizione ☀.

Tabella tempi di asciugatura (valori indicativi)

Tipo di tessuto	Tipo di carico	Carico max. (kg)	Armadio	Stampella	Stiro
Cotone	Biancheria di diverse dimensioni, asciugamani in spugna	5	180	170	160
Sintetici	Lenzuola, Camice, Pigiama, calzini, etc.	3	180	170	160
Lana	Maglie, maglioni, etc.	1,5	150	140	130

Solo asciugatura

Ruotare la manopola PROGRAMMI su una delle posizioni di asciugatura (**11-12-13**) in base al tipo di tessuto, quindi selezionare il tipo di asciugatura desiderata con la manopola ASCIUGATURA.

Funzioni

Le varie funzioni di lavaggio previste dalla lavasciuga permettono di ottenere la pulizia e il bianco desiderati.

Per attivare le funzioni:

1. premere il tasto relativo alla funzione desiderata;
2. l'accensione della spia relativa segnala che la funzione è attiva.

Nota: Il lampeggio veloce della spia indica che la funzione relativa non è selezionabile per il programma impostato.

Partenza ritardata

Ritarda l'avvio della macchina sino a 9 ore.

Premere più volte il tasto fino a far accendere la spia relativa al ritardo desiderato. Alla quinta pressione del tasto la funzione si disattiverà.

N.B.: Una volta premuto il tasto START/PAUSE, si può modificare il valore del ritardo solo diminuendolo.

! E' attivo con tutti i programmi.

Extra Risciacquo

Selezionando questa funzione si aumenta l'efficacia del risciacquo, e si assicura la massima rimozione del detersivo. E' utile per pelli particolarmente sensibili.

! Non è attivabile sui programmi 4, 5, 11, 12, 13, B, C.

Super Lavaggio

Grazie all'utilizzo di una maggior quantità d' acqua nella fase iniziale del ciclo e all'impiego di maggior tempo, tale funzione garantisce un lavaggio di alte performance.

! Non è attivabile sui programmi 4, 5, 6, 9, 10, 11, 12, 13, A, B, C.

1200-600

Premendo questo tasto si riduce la velocità di centrifuga.

! Non è attivabile sui programmi 9, C, 11, 12, 13.

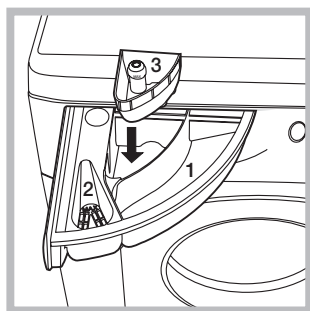
Detersivi e biancheria

Cassetto dei detersivi

Il buon risultato del lavaggio dipende anche dal corretto dosaggio del detersivo: eccedendo non si lava in modo più efficace e si contribuisce a incrostare le parti interne della lavasciuga e a inquinare l'ambiente.

! Non usare detersivi per il lavaggio a mano, perché formano troppa schiuma.

Estrarre il cassetto dei detersivi e inserire il detersivo o l'additivo come segue.



vaschetta 1: Detersivo per lavaggio (in polvere o liquido)

Il detersivo liquido va versato solo prima dell'avvio.

vaschetta 2: Additivi (ammorbidente, ecc.)

L'ammorbidente non deve fuoriuscire dalla griglia.

vaschetta aggiuntiva 3: Candeggina

Ciclo candeggina

Il candeggino può essere effettuato solo con i programmi **1, 2, 6**. Versare la candeggina nella vaschetta aggiuntiva **3**, il detersivo e l'ammorbidente nelle rispettive vaschette, quindi impostare uno dei programmi soprariportati.

E' indicato solo per capi in cotone molto sporchi.

Preparare la biancheria

- Suddividere la biancheria secondo:
 - il tipo di tessuto / il simbolo sull'etichetta.
 - i colori: separare i capi colorati da quelli bianchi.
- Vuotare le tasche e controllare i bottoni.
- Non superare i valori indicati, riferiti al peso della biancheria asciutta: vedi "Tabella dei programmi".

Quanto pesa la biancheria?

- 1 lenzuolo 400-500 gr.
- 1 federa 150-200 gr.
- 1 tovaglia 400-500 gr.
- 1 accappatoio 900-1.200 gr.
- 1 asciugamano 150-250 gr.

Capi particolari

Seta: utilizzare l'apposito programma **9** per lavare tutti i capi in seta. Si consiglia l'utilizzo di un detersivo specifico per capi delicati.

Tende: si raccomanda di piegarle e sistemarle dentro una federa o un sacchetto a rete. Utilizzare il programma **9**.

Lana: Il ciclo di lavaggio "Lana" di questa lavatrice Hotpoint/Ariston è stato testato e approvato dalla Woolmark Company per il lavaggio di capi in lana classificati come "lavabili a mano", purché il lavaggio venga eseguito nel rispetto delle istruzioni riportate sull'etichetta dell'indumento e delle indicazioni fornite dal produttore dell'elettrodomestico. Hotpoint/Ariston è la prima marca di lavatrici ad aver ottenuto dalla Woolmark Company la certificazione Woolmark Apparel Care - Platinum per le sue prestazioni di lavaggio e il consumo di acqua ed energia. (M1126)



Sistema bilanciamento del carico

Prima di ogni centrifuga, per evitare vibrazioni eccessive e per distribuire il carico in modo uniforme, il cestello effettua delle rotazioni ad una velocità leggermente superiore a quella del lavaggio. Se al termine di ripetuti tentativi il carico non fosse ancora correttamente bilanciato la macchina effettua la centrifuga ad una velocità inferiore a quella prevista.

In presenza di eccessivo sbilanciamento la lavasciuga effettua la distribuzione anziché la centrifuga. Per favorire una migliore distribuzione del carico e il suo corretto bilanciamento si consiglia di mescolare capi grandi e piccoli.

Antipiega

Questa funzione interrompe il programma di lavaggio mantenendo la biancheria in ammollo nell'acqua prima dello scarico.

E' attiva solo nel programma **9** (Seta/Tende) e serve per evitare la formazione di pieghe.

Per completare il ciclo premere il tasto START/PAUSE.